

**ISO 9001
REGISTERED**

DESCRIPTION

DT132 diaphragm seal is made with material including PVC and PVDF to provide to against the acid fluid for application in customers device. It is easy to assemble with pressure gauges, pressure switches and pressure transducers.

Instrument: Female thread ¼" to ½" BSP or NPT

Process connection: ¼" to ½" BSP or NPT

Measurement range: 0~2.5 to 10 bar for Dial ø2" or ø63mm used
0~4 to 10 bar for Dial: ø4" or ø4½" used

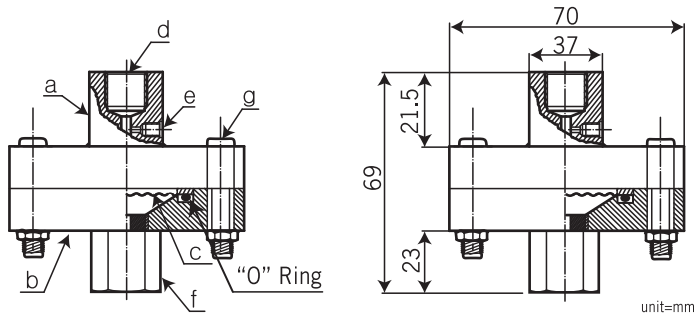
Max. temperature: 40°C

Body material: PVC and PVDF available

Membrane material: EPDM with PTFE foil

DIMENSIONS

Item	Description of Parts
a	Upper housing
b	Lower housing
c	Membrane
d	Instrument connection
e	Filling port
f	Process connection
g	Bolt



NOTE
Performance Technical Data are effective with date of issue and are subject to change without prior notice.

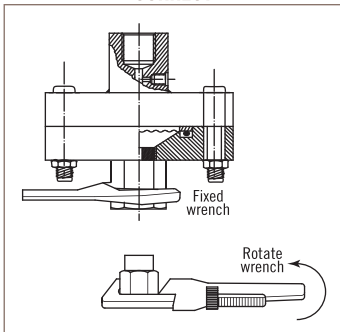


Approvals:

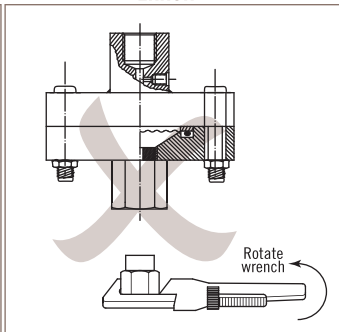


CAUTION

CORRECT



ERROR



Correct- Use Two Wrenches:

The body process connection must be fixed by one of the wrench at first, and then rotating the other wrench. This is in order to avoid making the body broken-down.