

**NEW-FLOW**

**ISO 9001  
REGISTERED**

# ***NEW-FLOW***

## ***Instruction Manual***

**DIFFERENTIAL PRESSURE GAUGE  
DPH SERIES**



***NEW-FLOW TECHNOLOGIES, INC.***

No.9 Lane 133, Xing-Hua St., Chien Chen Dist., Kaohsiung 806, Taiwan

TEL: 886-7-8135500 FAX: 886-7-8225588 / 8159758

Email: [info@new-flow.com](mailto:info@new-flow.com) [www.new-flow.com](http://www.new-flow.com)

# INSTALLATION

## Principle

DPH Series consist of high and low pressure ports. Spring magnet couple with pointer. Differential pressure indicated on dial due to  $\Delta P$  pressure of high side and low side be made from magnet couple with pointer. It could combine with reed switch for using in controller system.

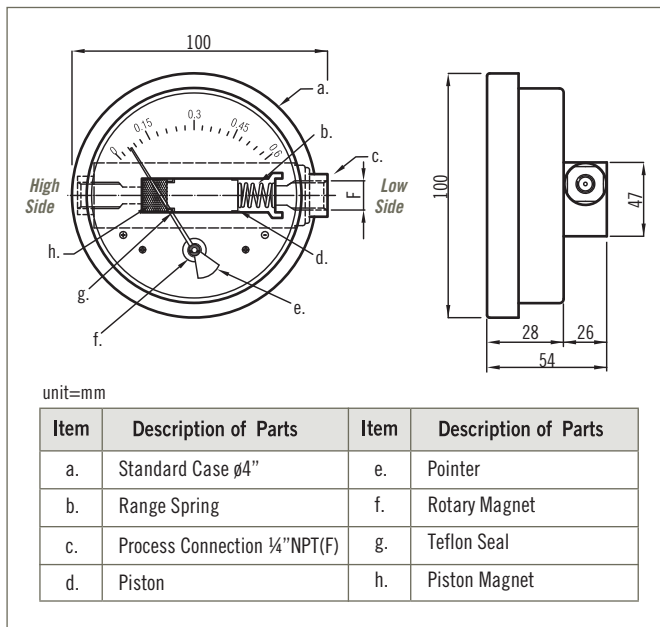
## Technical Data

**Accuracy:**  $\pm 2\%$  F.S (Ascending)

**Working Pressure:** 200 kg/cm<sup>2</sup>

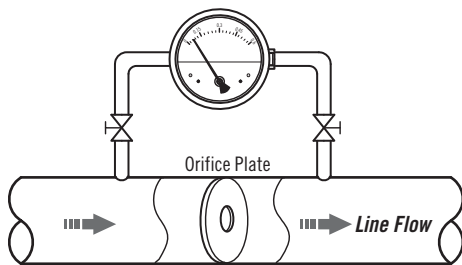
**Working Temperature:** 80°C

## Dimension

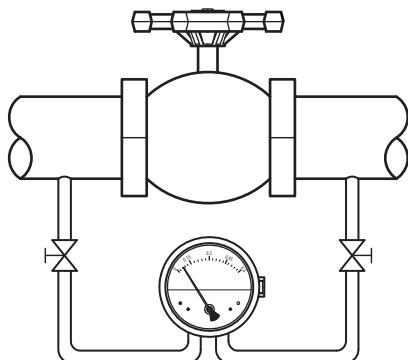


## Applications & Installed Guide

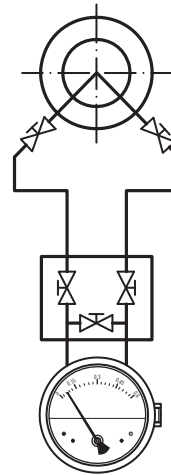
### (1) Pressure Reducing For High Pressure System



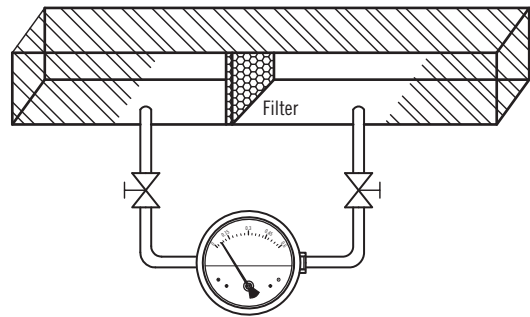
### (2) Pressure Loss Test For Valve



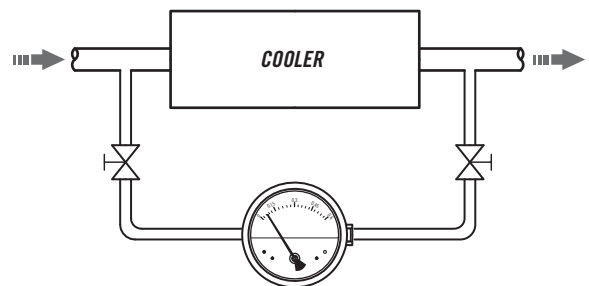
### (3) DP-Flow Element



### (4) For Filter In Air Flow System



### (5) Pressure Loss For Cooler System



### (6) Differential Pressure Indicating For Liquid Strainer

