



ISO 9001
REGISTERED

NEW-FLOW

MANUFACTURE OF DIFFERENTIAL PRESSURE GAUGE

DPH200 & DPH300 & DPH400

AND CONTROL INSTRUMENTS

差壓計操作說明書

Instruction Manual



DPH200



DPH400



DPH300

Approvals:



ABS

TYPE APPROVED PRODUCT

Patent No.

M449263

China: ZL 2012 2 0666839.5

NEW-FLOW TECHNOLOGIES, INC.

No.9 Lane 133, Xing-Hua St., Chien Chen Dist., Kaohsiung 806, Taiwan

TEL: 886-7-8135500 FAX: 886-7-8225588 / 8159758

Email: info@new-flow.com www.new-flow.com

TABLE OF CONTENTS

1.0 Introduction and Description.....page 1

TEL: 886-7-8135500 FAX: 886-7-8225588
e-mail: info@new-flow.com
<http://www.new-flow.com>
Instruction No.: 20170223-dph200/300/400



1.0 INTRODUCTION & DESCRIPTION

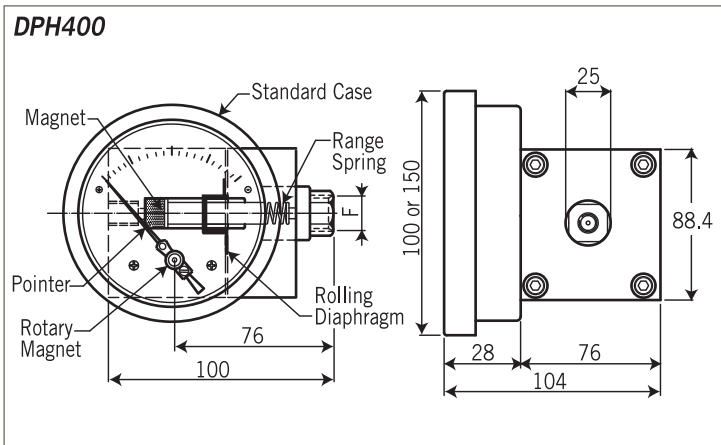
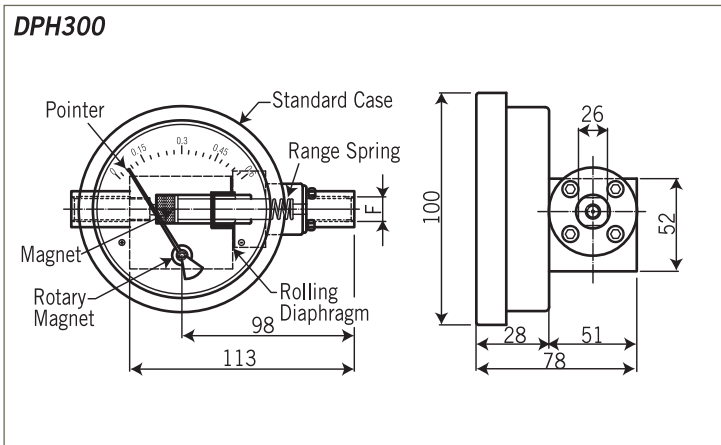
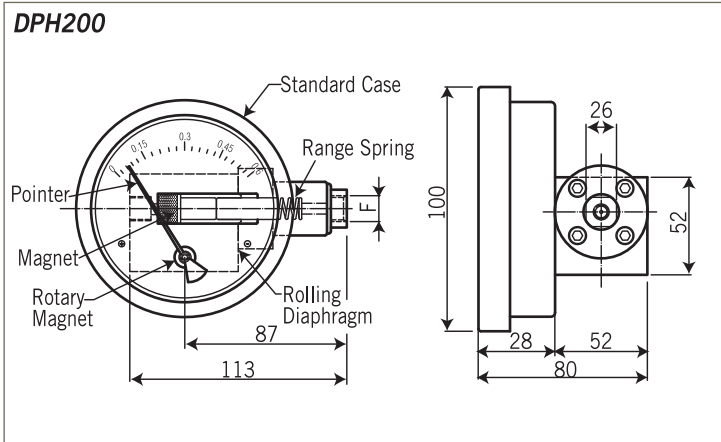
Principle

DPH200/300/400 series consist of high and low pressure ports. Spring and diaphragm as well as magnet couple with pointer. Differential pressure indicated on dial due to ΔP pressure of high side and low side be made from magnet couple with pointer.

Technical Data

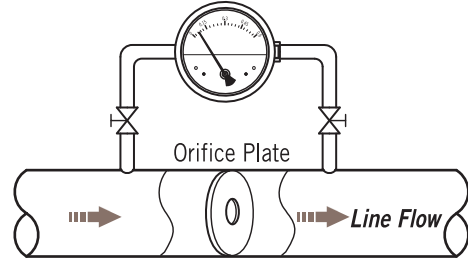
Accuracy: $\pm 2\%$ FS. (ascending)
Working Pressure: 200 kg/cm²
Working Temperature: 80°C

Dimensions & Parts List

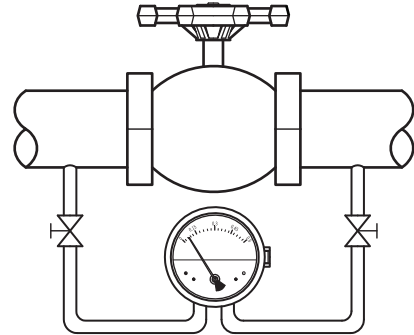


Applications & Installed Guide

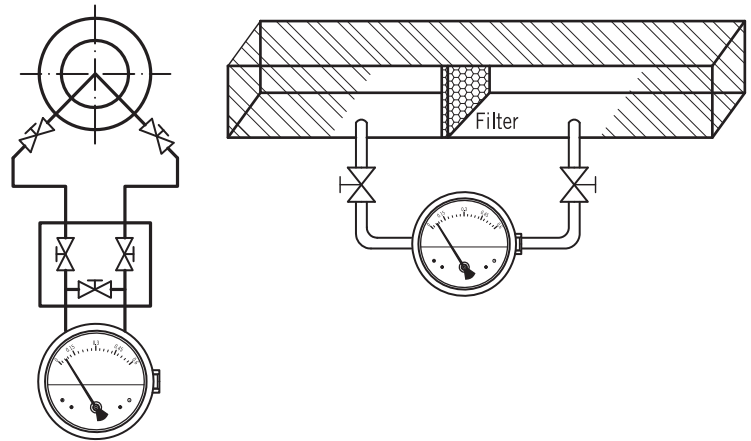
(1) PRESSURE REDUCING FOR HIGH POEURESSURE SYSTEM



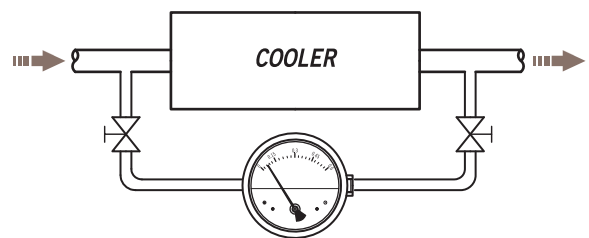
(2) PRESSURE LOSS TEST FLOW VALVE



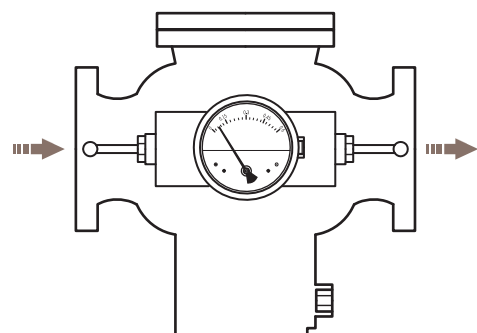
(3) D/P FLOW ELEMENT (4) FOR FILTER IN AIR FLOW SYSTEM



(5) PRESSURE LOSS FOR COOLER SYSTEM



(6) DIFFERENTIAL PRESSURE INDICATING FOR LIQUID STRAINER





Golden Mountain Enterprise Co., Ltd.

No. 9 Lane 133 Xing-Hua St. Chien-Chen Dist. Kaohsiung City 806, Taiwan

TEL: 886-7-8135500 FAX: 886-7-8225588

Email: info@new-flow.com

<http://www.new-flow.com>