

Instruction Manual

**ISO 9001
REGISTERED**

1.0 DESCRIPTION

Type: Liquid filled type & Gas filled type

Temperature Range: Liquid filled type:-70°C~+400°C;

Gas filled type:-200°C~+650°C

Remote Capillary Length: Liquid filled type: 20M max.;

Gas filled type: 30M max.

Electric Contact: 1~2 Contacts

Micro Switch Type, SPDT: Nominal operating voltage: 250 VAC max.;

Current: 5A max.

Alternatively Switch Data:

Nominal operating voltage: 28 VDC max.; Current: 5A max. (ohmic load);

3A max. (inductive load); Contact material: Pure silver 999.9;

Ambient temperature: -20°C ~ +70°C

Weather Proof Class: NEMA 4, 4X, IP65

Material of Case & Cover: Aluminum alloy die-casting

Switch Acting Differential: ±1.6~3% F.S

Contact Adjusting Method: Internal adjusting method

Conduit Connection: ½"NPT(F)

Process Connection: ½" or ¾" NPT(M)

Sensor Material: Wetted parts are all in SS316

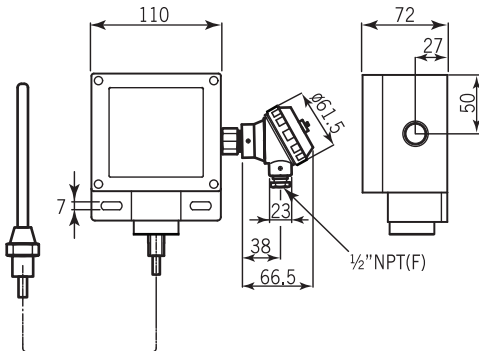


**ETS3000W-C
(Capillary Type)**

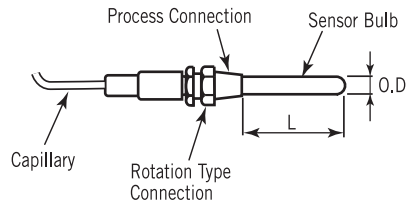


**ETS3000W-B
(Bottom Connection Type)**

2.0 DIMENSIONS—mm



3.0 MINIMUM INSERTING LENGTH OF SENSOR BULB



4.0 SETTING STEPS FOR ONE ALARM SWITCH



Fig. 1: ETS3000W加上開關外觀圖。
Exterior view of the switch.



Fig. 2: 首先用十字螺絲起子拆開表蓋。
First, open the cover with a cross-head screwdriver.

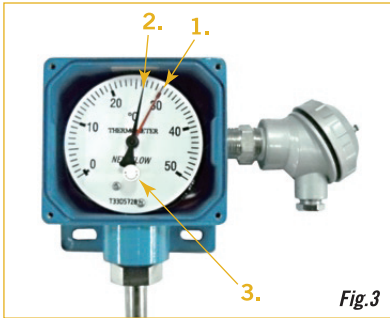


Fig. 3:

1. 設定點紅色指針(Alarm用)。
功能: 指示Alarm設定值用。
Setpoint red indicator (for alarm).
Function: Alarm setpoint indication.
2. 黑色指針。功能: 指示溫度值。
Black indicator.
Function: Temperature indication.
3. 設定旋鈕(set nob)。
功能: 操作設定指針用, 順時針轉動
設定鈕, 設定值增大, 反之逆時針
轉動設定值減少。
Set Nob. Function: To operate and set the
red indicator. Turn the nob clockwise to increase
the value of the setpoint.
Turn the nob counterclockwise to decrease.

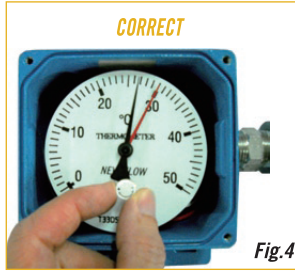


Fig. 4: 正確設定方式-用手指轉動設定鈕, 使設定點指針
到達要求的設定值之刻度點上。
Correct setting method-Turn the set nob by hand to set the
red indicator to the desired setpoint value.

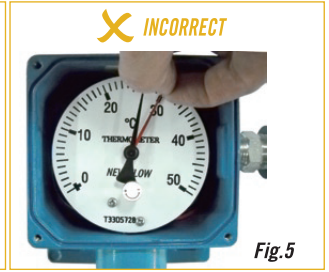


Fig. 5: 錯誤設定方式-不可用手直接移動設定點指針, 以免
設定點不準及設定元件無法跟設定指針同步alarm。
DO NOT move the red indicator by hand to avoid incorrect setpoint
and malfunction of setting components.



Fig. 6: 設定好後, 請把表蓋
鎖緊, 以防水氣入侵。
After setting up the switch,
close the cover tightly to
prevent water penetration.



Fig. 7: 打開接線盒。
Twist to open the junction box.



Fig. 8: 接線端子座。
接線方法請參照一旁標示。
分為COM/NO/NC。
Follow the labels on the junction
box to complete the wiring.
Terminals include: COM/NO/NC.

ETS3000W_2

NEW-FLOW TECHNOLOGIES, INC.

No.9 Lane 133, Xing-Hua St., Chien Chen Dist. Kaohsiung 806, Taiwan
TEL: 886-7-8135500 FAX: 886-7-8225588

info@new-flow.com
www.new-flow.com