

NEW-FLOW

**ISO 9001
REGISTERED**

NEW-FLOW

MANUFACTURE OF FILLED TYPE THERMOMETERS
AND CONTROL INSTRUMENTS

填充式溫度計使用說明書

Instruction Manual



SH-QS

(Every Angle Connection)



SH

(Bottom Connection)

NEW-FLOW TECHNOLOGIES, INC.

No.9 Lane 133, Xing-Hua St., Chien Chen Dist., Kaohsiung 806, Taiwan

TEL: 886-7-8135500 FAX: 886-7-8225588 / 8159758

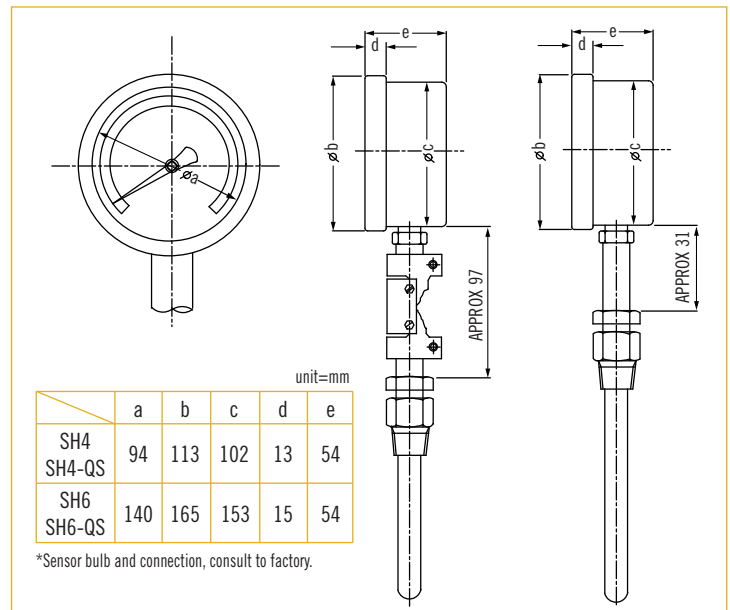
Email: info@new-flow.com www.new-flow.com

INSTALLATION

Technical Data

Direct mounting
Liquid gas filled available
Dial size: Ø100, Ø150 available
Material of case & cover: 316 stainless steel
Material of stem: 316 stainless steel
Lens: Glass, safety glass available
Housing enclosure: IP65, liquid filled available
Range limit: -50 to 600°C
Stem dimensions: Ø 6, 8, 10, 12 mm available
Stem length limit: 65~1000 mm, option available
Inner zero adjustable
Accuracy: ±1% (FS)
Process connection: 1/2" NPT standard, Other available
Over range protection: 130%(FS)
Contact type limit switch: available 7 functions for usage.

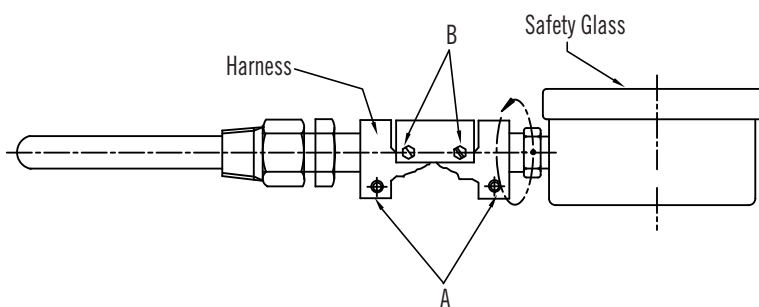
Dimension



SH-QS 指示部調整方法

a. 如圖所示將A之兩支螺絲及止動外六角螺絲帽放鬆，即可伸縮支架 (Harness) 旋轉至所需之角度後固定之。

As indicate on the picture, loosen the two screws net of the "A" then the harness can be adjusted to the requested degree of circle. After this step, fasten the screws.



b. 將 B 之兩支螺絲放鬆，即可將面板彎至所需角度後固定之。

Loosen the two screws of the "B", then the face plate can be adjusted to the requested angle. Then fasten the screws, last.

INSTALLATION

溫度計按裝說明

Temperature Gauge Installation Method

