

NEW-FLOW

**ISO 9001
REGISTERED**

NEW-FLOW

MANUFACTURE OF TUBULAR TYPE LEVEL GAUGE

NL/SL Series

Instruction Manual



NLT-1



NLF-1



SLT-1



SLF-1



SCALE

NEW-FLOW TECHNOLOGIES, INC.

No.9 Lane 133, Xing-Hua St., Chien Chen Dist., Kaohsiung 806, Taiwan

TEL: 886-7-8135500 FAX: 886-7-8225588 / 8159758

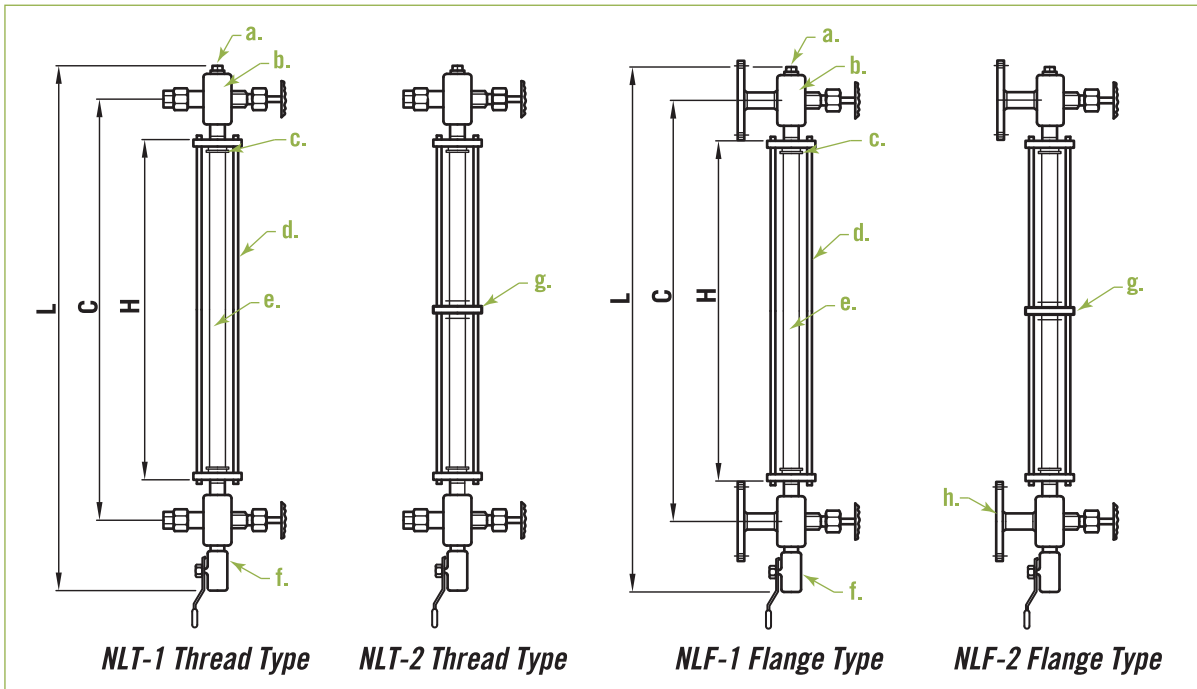
Email: info@new-flow.com www.new-flow.com

INSTALLATION

Technical Data

Suitable Fluid: Water, Oil, other chemical liquid
Gauge Valve Material: SS304, SS316, others available
Gauge Tube Material: Glass, P.V.C
Seal Material: Viton, Teflon available
Gauge Valve Function: With or Without ball check
Max. Working Temperature: 100°C
Max. Working Pressure: 4~7 kg/cm²
Process Connection: ½"~1½" Thread and Flange on request.
Flange Rating: JIS, ANSI, DIN available
Drain Valve Connection: standard ½" NPT(F); option available

NL Series



Dimensions for NL Series

mm Item	L	C	H	Section
1	400	300	200	1
2	600	500	400	1
3	800	700	900	1
4	1200	1100	1000	1
5	1300	1200	1100	1
6	1600	1500	1400	2
7	1900	1800	1700	2
8	2100	2000	1900	2

NOTE.

The "C" dimension can be made by requirement of customer. Option available.

Parts List for NL Series

Item	Parts Name
a.	Plug of Vent
b.	Gauge Valve
c.	Gasket & Tightened ring
d.	Support Rod
e.	Indicating Tube
f.	Drain Valve
g.	Support Ring (only for "C" length > 2meters)
h.	Flange

INSTALLATION

SL Series

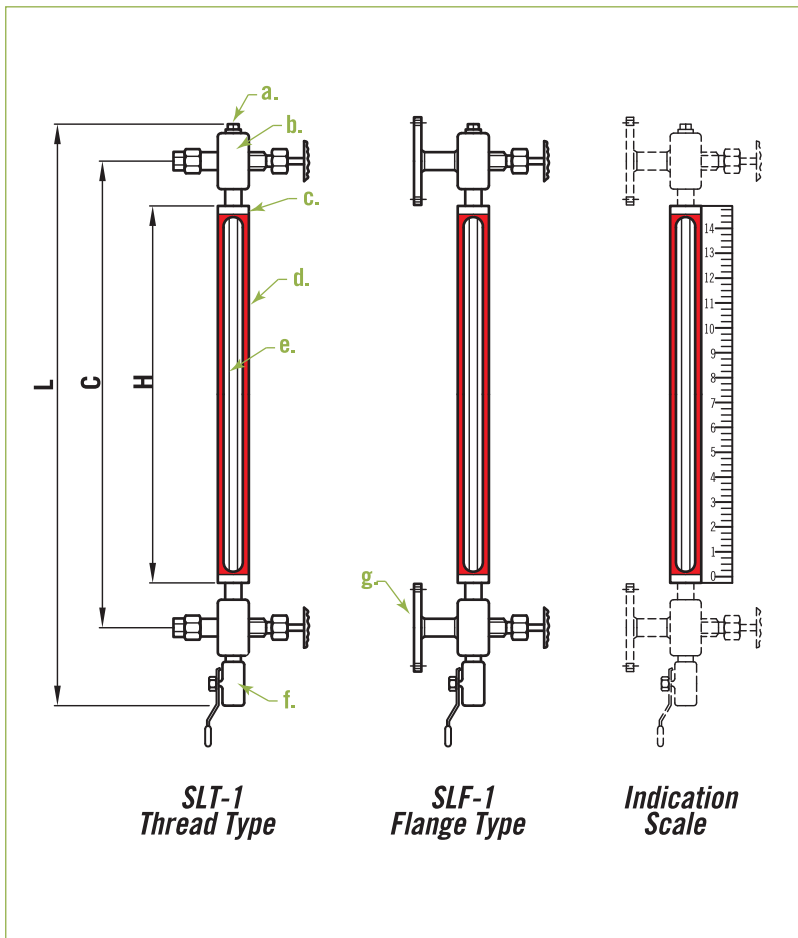
Dimensions for SL Series

Item	mm	L	C	H	Section
1		400	300	200	1
2		600	500	400	1
3		800	700	900	1
4		1100	900	1000	1
5		1300	1200	1100	1
6		1600	1500	1400	2
7		1900	1800	1700	2
8		2100	2000	1900	2

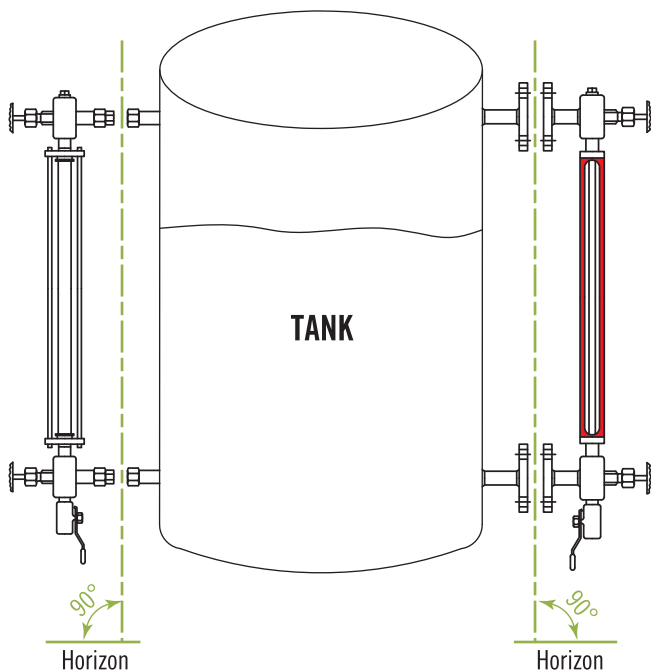
NOTE. The "C" dimension can be made by requirement of customer. Option available.

Parts List for SL Series

Item	Parts Name
a.	Plug of Vent
b.	Gauge Valve
c.	Gasket & Tighted ring
d.	Support Rod
e.	Indicating Tube
f.	Drain Valve
g.	Flange



Notice of Installation



NOTICE:

1. Please make sure the angular position have to be 90° between the process flange face and horizon. And the position of two process flange face should be in a straight line.
2. Do Not run up on the level gauge with a hammer or any hard tools.