

**ISO 9001
REGISTERED**

1.0 DESCRIPTION

High Corrosive Liquid Useable

Set Point adjustable (max. set point 7)

Multiple Level Set Point available

Float Enclosure Class: IP68

Material: Housing— Aluminum alloy with paint, option available; Float— ABS plastic;
Cable— PVC plastic; Flange— PVC, PP, option available; Weight— PVC

Float Size: $\phi 80 \times 110\text{mm}$ L

Housing Conduit Size: $\frac{3}{4}$ " NPT(F), option available

Flange Size: 4" (for LQ-01~LQ-05), 6" (for LQ-06~LQ-07), option available

Cable Length: Standard 6M; Option available (max. length 25M)

Working Pressure Limited: maximum 2.5 kg/cm²

Working Temperature Limited: -10°C ~ +50°C

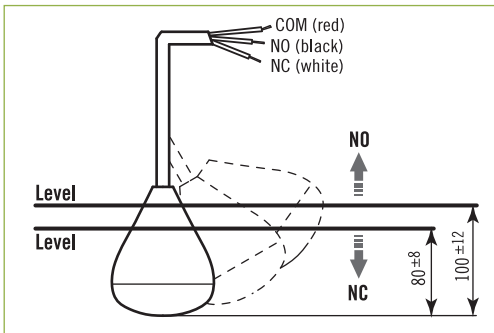
Working Sp.Gr.: ≥ 0.9

Switch Mode: SPDT mode

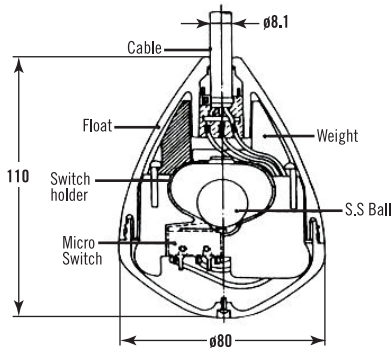
Switch Rating: 5A/125VAC, 3A/250VAC, 5A/8V & 14VDC, 4A/30VDC, 0.4A/125VDC



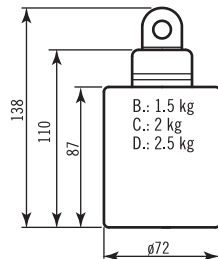
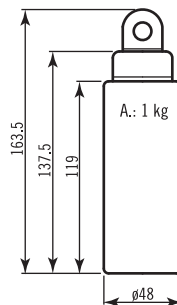
2.0 ACTING GAP IN FLUID



3.0 DIMENSIONS FOR FLOAT & WEIGHT



LQ Series Float



Weight

4.0 DIMENSIONS

Please refer to the dimensions as technical catalogue.

5.0 INSTALLATION STEPS

1. Positioned the end of float by yourself against the acting point.
2. Put the float's cable follow up the rope slowly and set the float in place on request, and fix it by clip.

6.0 NOTICE

1. Please ensure the level switch has been installed firmly.
2. If the level switch falls or be rammed violently, the internal stainless steel ball in the float will lead to the float broken.
3. Please notice! Painting on the level switch might be cause an obstacle of read value and maintenance.
4. Do not install the level switch in the corrosion medium (such as NH₃, SO₂, Cl₂...etc.)!
This is in order to avoid the internal circuit switch be corroded and causes this float switch is damage.
5. Do not install the level switch under the large vibration environment!
Otherwise, please try to make sure the level switch has installed firmly and free from vibration.
6. Do not install the level switch nearby inlet or outlet of water pipe and agitator!
Because of the high flow will be caused the float movement is unstable.
7. Do not bend the cable arbitrarily lest the core broken!
8. Do not put any heavy items on the cable!
9. If the usage load current is too low, it might be caused the poor connection of switch contactor.