

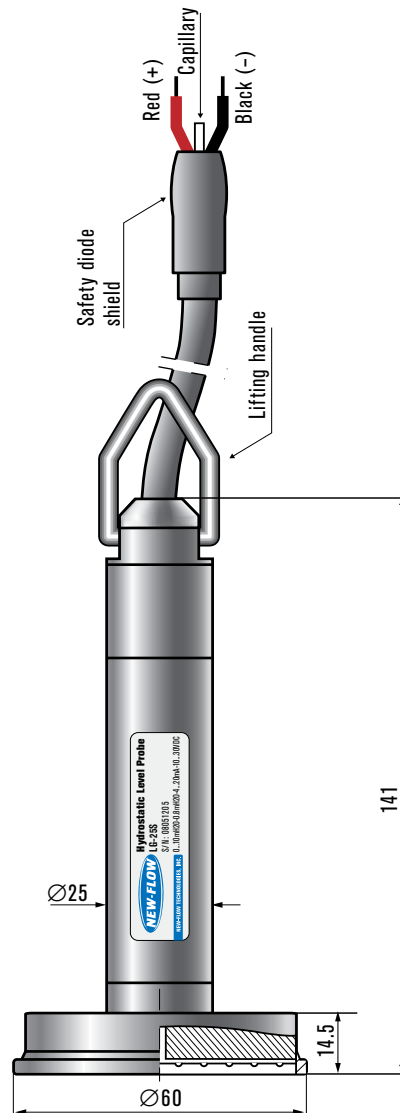
NEW-FLOW

**ISO 9001
REGISTERED**

NEW-FLOW

MANUFACTURE OF HYDROSTATIC LEVEL PROBES
LG-25S
FOR MEASUREMENT OF WASTE LIQUID LEVELS
AND CONTROL INSTRUMENTS

Instruction Manual



LG-25S

NEW-FLOW TECHNOLOGIES, INC.

No.9 Lane 133, Xing-Hua St., Chien Chen Dist., Kaohsiung 806, Taiwan
TEL: 886-7-8135500 FAX: 886-7-8225588 / 8159758
Email: info@new-flow.com www.new-flow.com

LG25S INSTALLATION

Technical Parameters of the LG-25S

Any measurement range: 2 ÷ 20 m H₂O (we recommend the standard ranges. 2, 4, 10 m H₂O)

	Measurement Range		
	2 m H ₂ O	4 m H ₂ O	0...10 m H ₂ O ÷ 20 m H ₂ O
Overpressure Limit (repeatable - without hysteresis)	25 x range	25 x range	10 x range
Accuracy	1.5%	1%	0.5%
Thermal error of zero	Typical 0.4% / 10°C max 0.6% / 10°C		Typical 0.2% / 10°C max 0.3% / 10°C
Thermal error of span	Typical 0.3% / 10°C max 0.4% / 10°C		Typical 0.2% / 10°C max 0.3% / 10°C

Hysteresis, repeatability: 0.05%

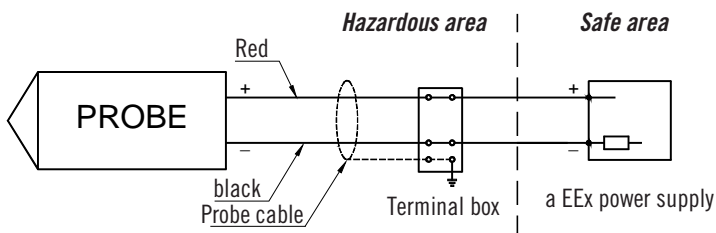
Thermal compensation range: 0 ÷ 25°C

Process temperature limit: -25 ÷ 75°C

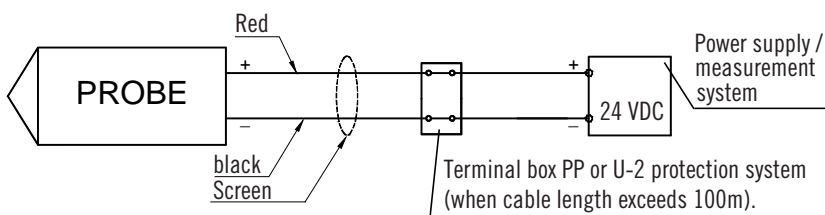
-25 ÷ 50°C –for EEx version

CAUTION: The medium must not be allowed to freeze in the immediate vicinity of the probe.

LG25S Probes In EEx Version-Connection Method



Connection Of LG25S Probes In A Two-Wire System



420mA output signal
 Not applicable to EEx version.

LG-25S Probe

