

**NEW-FLOW**

**ISO 9001  
REGISTERED**

# ***NEW-FLOW***

## ***Instruction Manual***

MANUFACTURE OF FLOAT LEVEL SWITCH  
EDX602  
AND CONTROL INSTRUMENTS



**NEW-FLOW TECHNOLOGIES, INC.**  
No.9 Lane 133, Xing-Hua St., Chien Chen Dist., Kaohsiung 806, Taiwan  
TEL: 886-7-8135500 FAX: 886-7-8225588 / 8159758  
Email: [info@new-flow.com](mailto:info@new-flow.com) [www.new-flow.com](http://www.new-flow.com)

# INSTALLATION

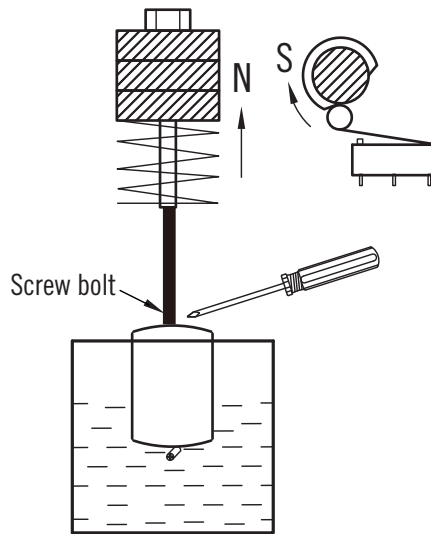
## Principle

Two magnets against each other.  
 Float rises or falls in liquids to move magnet to against other magnet pull a cam making switching over of micro switch.

## Setting Point

Release this screw bolt to reduce or extending cable wire length reach to require level point and keep the bolt in tight.

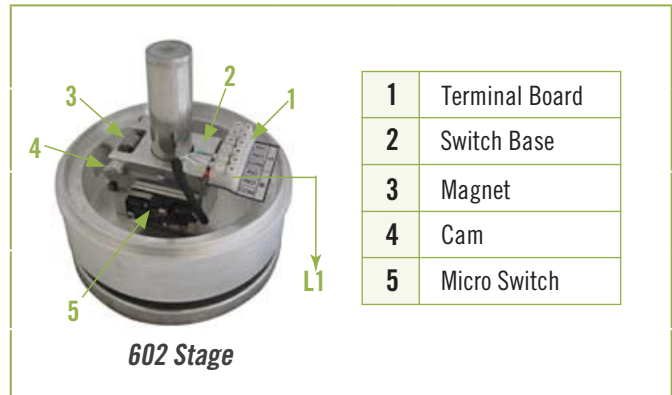
**Warning:** Please don't adjust the position of cam and micro switch to avoid an action abnormality.



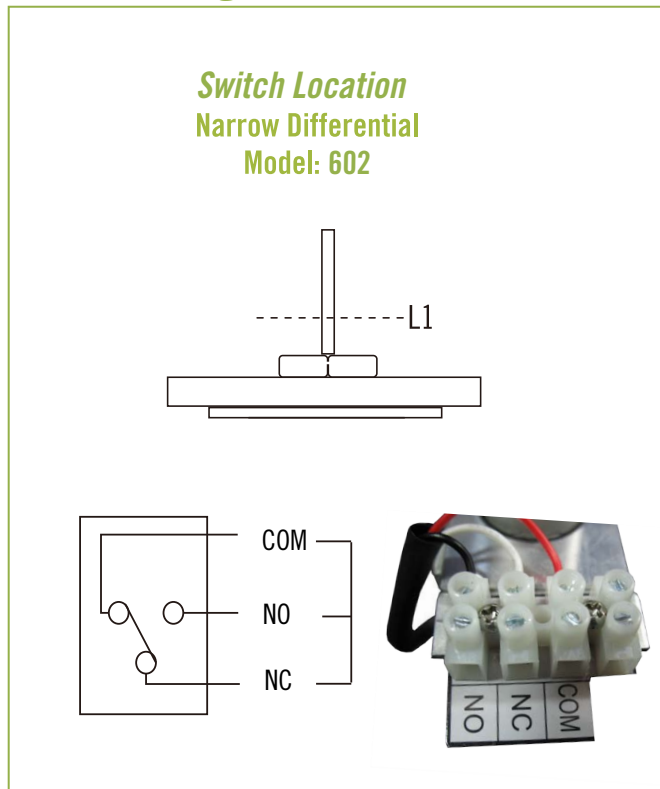
## Switch Function

|                         |                    |  |
|-------------------------|--------------------|--|
| Dry Contact Microswitch | SPDT               |  |
| Hermetically Switch     |                    |  |
| Dry Contact Microswitch | (DPDT)<br>SPDT X 2 |  |
| Hermetically Switch     |                    |  |

## Parts List



## Wire Drawing



## Control

