



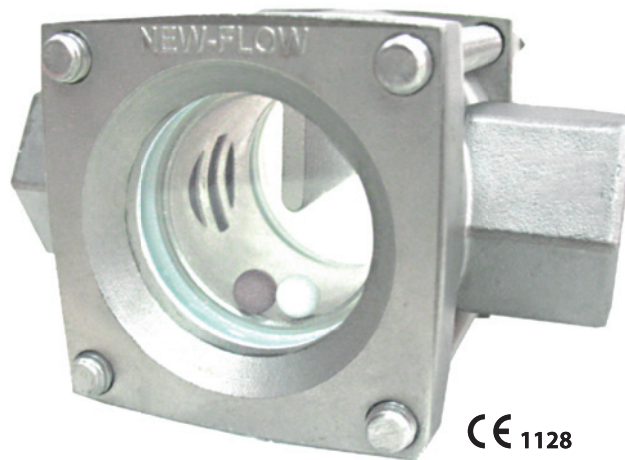
**ISO 9001
REGISTERED**

NEW-FLOW

MANUFACTURE OF FLOW SIGHT GLASS INDICATOR

TB SERIES-C

Instruction Manual



NEW-FLOW TECHNOLOGIES, INC.

No.9 Lane 133, Xing-Hua St., Chien Chen Dist., Kaohsiung 806, Taiwan

TEL: 886-7-8135500 FAX: 886-7-8225588 / 8159758

Email: info@new-flow.com www.new-flow.com

INSTALLATION

Technical Data

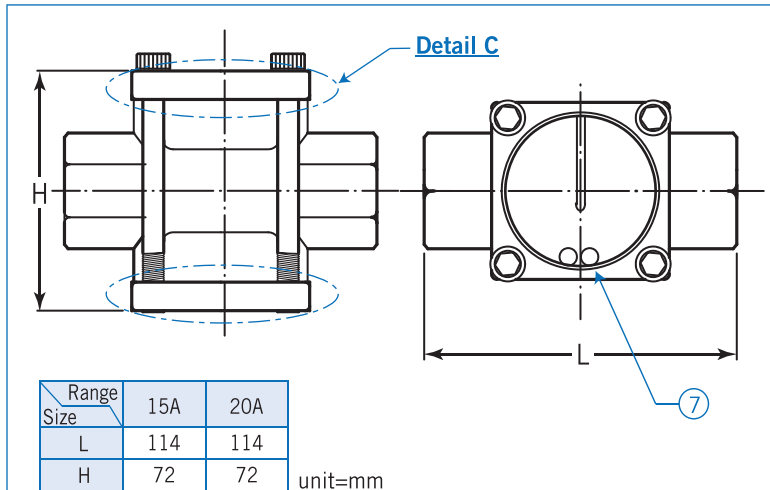
Service: – Compatible gas and liquid
 – Water treatment system
 – Industrial flow system
 – Double window indication

Material: Body–SS316; Color Ball: Teflon
 Gage-Tempered glass; Gasket-Teflon

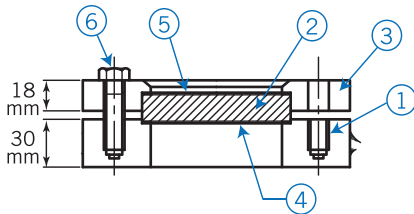
Max working temperature: 150°C (Teflon)

Max working pressure: 15 kg/cm² at 25°C water

Dimensions



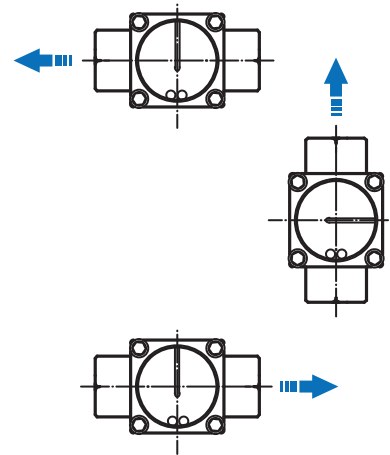
Detail C



Parts & Material List

No.	Parts Name	Material
1.	Body	SS316
2.	Sight Glass	Tempered Glass
3.	Cover	SS304, SS316 available
4.	Gasket	Teflon, t=3mm
5.	Gasket	Teflon, t=3mm
6.	Bolt	SS304
7.	Color Ball	Teflon

Mounting Position



Operation Warning

1. Solid Bigger than 1.0mm in fluid. Strainer has to be installed in pipe ahead of sight glass gauge.
2. Avoid any pressure surge of fluid.