

**ISO 9001
REGISTERED**

1.0 DESCRIPTION

Service: Gases (Air) & Liquid (Water)

Wetted parts material:

Body: SS316

O-ring: Viton, others on request

Metering tube: Borosilicate glass

Needle valve: SS316

Float: Glass, Sapphire, Stainless steel, Carbonyl, Tantalum

Mounting: Horizontal position (Bottom to Top)

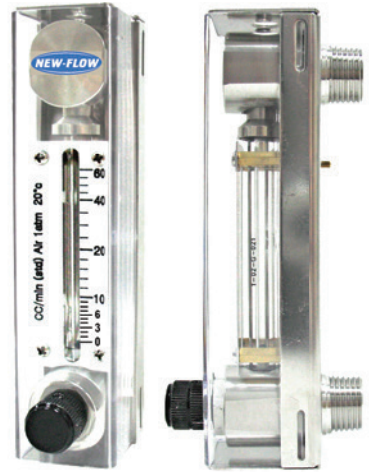
Connection size: ¼" NPT female, needle valve available

Max. working temperature: 95°C

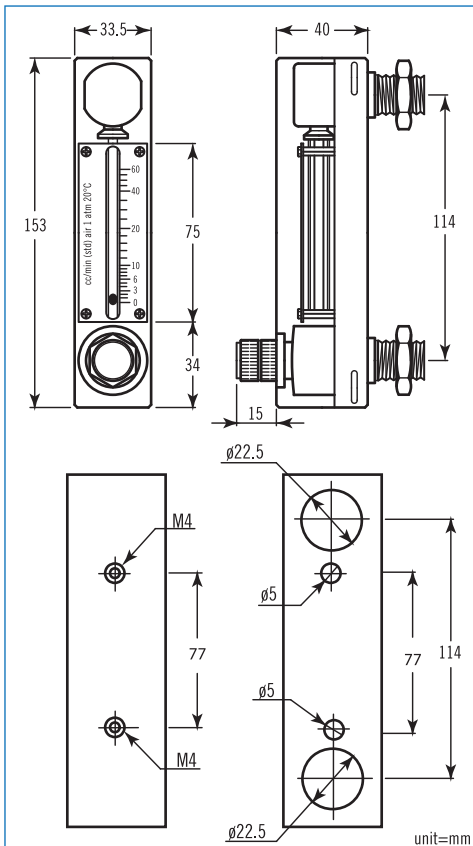
Max. working pressure: Glass tube— 200psig (14kg/cm²)

Accuracy: ±3% F.S; repeat ability 1%

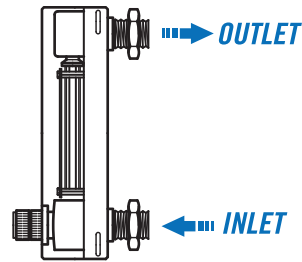
Weight: 0.5~0.6 kg



2.0 DIMENSIONS



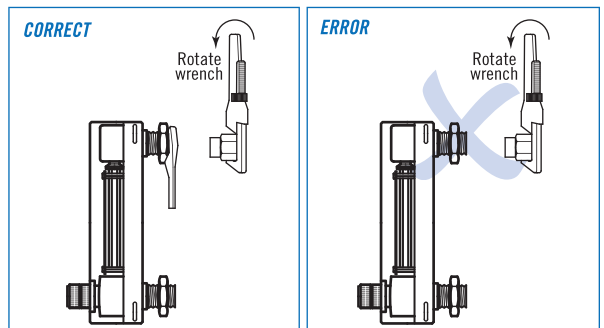
3.0 FLOW DIRECTION TYPES



4.0 READ COACTION TO THE FLOAT



5.0 CAUTION



Correct- Use Two Wrenches:

The body process connection must be fixed by one of the wrench at first, and then rotating the other wrench. This is in order to avoid making the plastic body broken-down.

SM_1