

NEW-FLOW

**ISO 9001
REGISTERED**

NEW-FLOW

Instruction Manual

VARIABLE AREA TYPE
FLOW METER (Plastic Flowmeter)
PF Series



Approvals:



NEW-FLOW TECHNOLOGIES, INC.

No.9 Lane 133, Xing-Hua St., Chien Chen Dist., Kaohsiung 806, Taiwan

TEL: 886-7-8135500 FAX: 886-7-8225588 / 8159758

Email: info@new-flow.com www.new-flow.com

INSTALLATION

Technical Data

Service: Water, waste water, air, gases, chemical process system, industrial flow system

Measuring Range: Refer to our technical catalogue Range Table

Accuracy: $\pm 3\%$ F.S

Scale Unit: Liquid-LPM, LPH, GPH; Gases-NLPM, NM³/H, SCFH

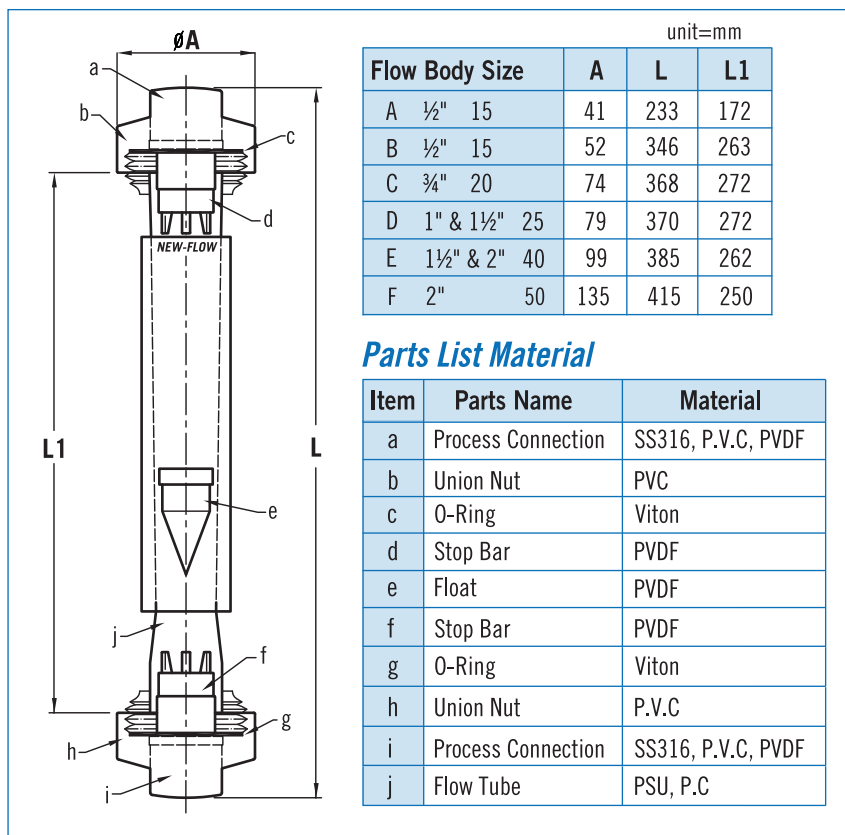
Wetted Parts Material: Body-Polysulfone (PSU), Polycarbonate (PC) available
Float-PVDF, PVC, Stainless steel available

Max. Working Pressure Limit: 1.2 MPa (12 kg/cm²)

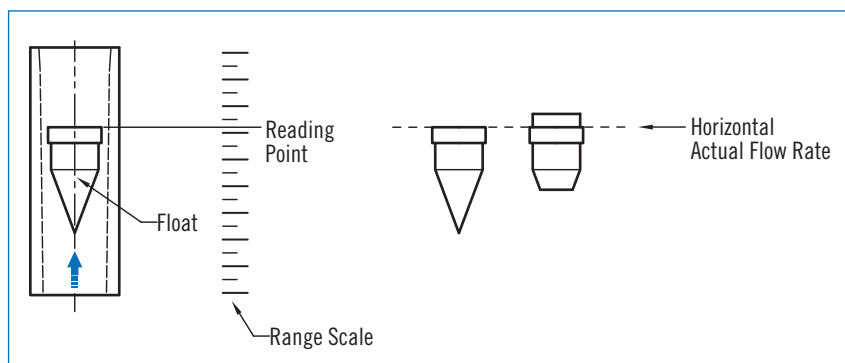
Max. Test Pressure: 2.0 MPa (20 kg/cm² at water 25°C)

Max. Working Temperature: -10°C to 60°C (for PC body)
-10°C to 80°C (for polysulfone body)

Dimensions



Read Coaction To The Float



Notice

1. Tube is too dirty or float is blocked, the flowmeter has to take down from pipe line and clean the float and tube by water.
(WARNING: Do not use ALCOHOL to clean this flowmeter.)
2. To remove union nut (parts b, h), rotating flow tube for clockwise is CLOSE; rotating counter clockwise is OPEN.