



ISO 9001
REGISTERED

NEW-FLOW

MANUFACTURE OF FLOW SIGHT GLASS INDICATOR

NAW SERIES

Instruction Manual



NAW-1 



NAW-2 

NEW-FLOW TECHNOLOGIES, INC.

No.9 Lane 133, Xing-Hua St., Chien Chen Dist., Kaohsiung 806, Taiwan

TEL: 886-7-8135500 FAX: 886-7-8225588 / 8159758

Email: info@new-flow.com www.new-flow.com

INSTALLATION

Technical Data

Service: for Gases and Liquid

Wetted Parts Material: Window– Tempered glass; Body– SS316; Gasket– Viton; Ball– Teflon; Rotor– PP+10% glass fiber; Rotor Guide– SS316

Temperature Limit: NAW-1: 200°C; NAW-2: -5°C~+120°C

Pressure Limit: 16 bar

Connection: Threaded type

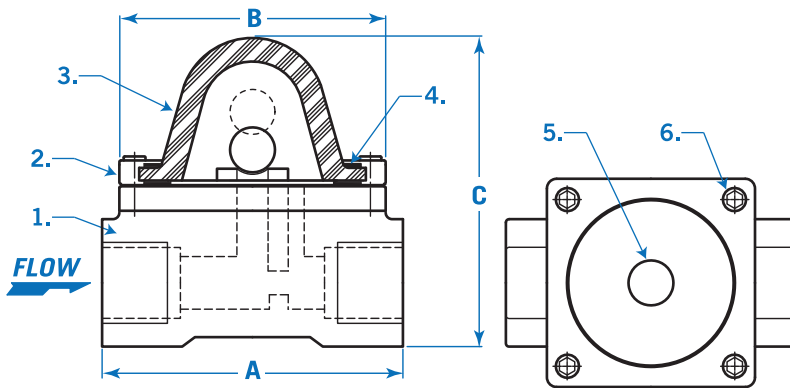
Size: ¼", ⅜", ½", ¾", 1", 1¼", 1½" NPT or BSP female available

Mounting: Horizontal installation

Flow Direction: Left to Right or Right to Left available

Dimensions

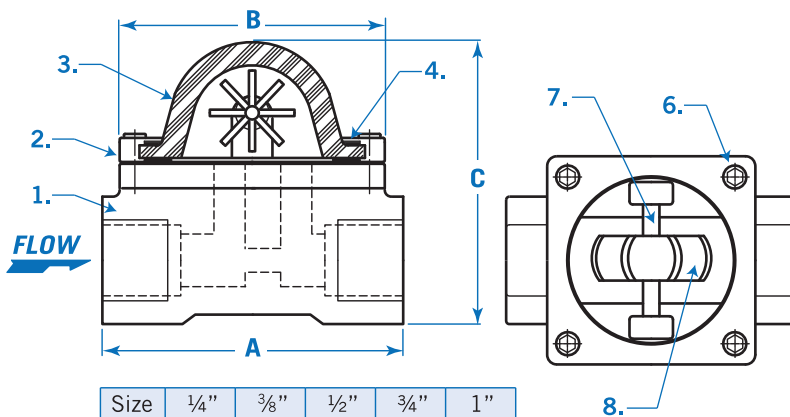
(A) NAW-1, With Teflon Ball



Size	¼"	⅜"	½"	¾"	1"	1¼"	1½"
A	76	76	76	89	89	117	117
B	63	63	63	63	63	75	75
C	79	79	79	95	95	125	125

unit=mm

(B) NAW-2, With Rotor



Size	¼"	⅜"	½"	¾"	1"
A	76	76	76	89	89
B	63	63	63	63	63
C	65	65	65	83	83

unit=mm

Parts & Material List

Item	Parts Name	Material
1.	Body	SS316
2.	Window Cover	SS304, SS316
3.	Glass Window	Tempered Glass
4.	Gasket	Viton
5.	Ball	Teflon
6.	Tight Bolt	SS304
7.	Rotor Guide	SS316
8.	Rotor	PP+10% Glass Fiber

Operation Warning

1. Solid Bigger than 1.0mm in fluid. Strainer has to be installed in pipe ahead of sight glass gauge.
2. Avoid any pressure surge of fluid.

Flow Range Table

NAW-1 : With Teflon Ball

Size	¼"	⅜"	½"	¾"	1"	1¼"	1½"
Min. Flow (L/Min)	0.12	0.12	0.15	2.5	2.9	11.5	16.5
Max. Flow (L/Min)	1.12	1.12	1.15	5.5	6.0	17.0	22.0
ΔP (2m/sec) BAR	0.15	0.15	0.19	0.18	0.45	0.20	0.25

NAW-2 : With Rotor

Size	¼"	⅜"	½"	¾"	1"
Min. Flow (L/Min)	0.8	0.9	1.1	1.4	2.0
Max. Flow (L/Min)	31	41	56	95	145
ΔP (2m/sec) BAR	0.15	0.18	0.21	0.20	0.50

NOTE.

The Flow Range Table is based on Water.