



**ISO 9001
REGISTERED**

NEW-FLOW

MANUFACTURE OF FLOW SIGHT GLASS INDICATOR

NAM SERIES

Instruction Manual



NEW-FLOW TECHNOLOGIES, INC.

No.9 Lane 133, Xing-Hua St., Chien Chen Dist., Kaohsiung 806, Taiwan

TEL: 886-7-8135500 FAX: 886-7-8225588 / 8159758

Email: info@new-flow.com www.new-flow.com

INSTALLATION

Technical Data

Self Clearing Function Available

Material: Body: SS316; Tube Housing: Glass; O-ring: Viton, NBR available
 Rotor: POM, PP+10% glass fiber available; Rotor Guide: SS316
 Thread Connection: SS316

Viscosity: 1~150 mm²/s

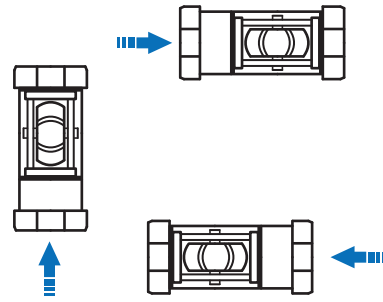
Indication Range: Minimum 0.4~4 L/Min; Maximum 8~100 L/Min for water

Max. Pressure: SS316 body: 16bar

Max. Temperature: SS316 body: -5°C~+100°C

Connection Size: ¼", ⅜", ½", ¾", 1", 1¼", 1½" female PF or NPT available

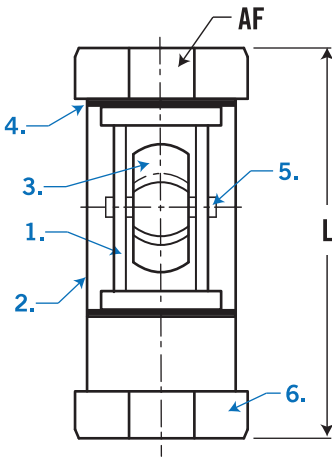
Mounting Position



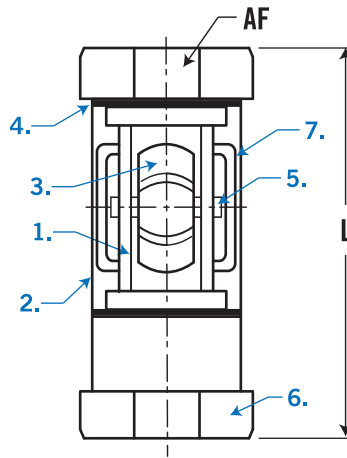
NOTE:
 Flow Direction only can:
 1. Bottom to Top
 2. Left to Right
 3. Right to Left

Dimensions

Without Self Clearing



With Self Clearing



Parts & Material List

Item	Parts Name	Material
1.	Body	SS316
2.	Tube Housing	Glass
3.	Rotor	POM, PP+10% Glass Fiber
4.	Gasket	Viton, NBR available
5.	Rotor Guide	SS316
6.	Thread Connection	SS316
7.	Self Clearing	SS316

Size	L		Spanner Size (AF)
	NPT	PF	NPT /PF
¼"	71	71	36
⅜"	71	71	36
½"	86	86	46
¾"	94	94	46
1"	104	104	46
1¼"	120	120	65
1½"	130	130	65

unit=mm

Flow Range Table

PF/NPT	Flow Range (water)
¼"	0.4 ~ 4 L/Min
⅜"	0.6 ~ 8 L/Min
½"	1 ~ 12 L/Min
¾"	1 ~ 25 L/Min
1"	1.6 ~ 40 L/Min
1¼"	8 ~ 80 L/Min
1½"	8 ~ 100 L/Min

Operation Warning

1. Solid Bigger than 1.0mm in fluid. Strainer has to be installed in pipe ahead of sight glass gauge.
2. Avoid any pressure surge of fluid.