



**ISO 9001
REGISTERED**

NEW-FLOW

MANUFACTURE OF FLOW SIGHT GLASS INDICATOR

NAC SERIES

Instruction Manual



NEW-FLOW TECHNOLOGIES, INC.

No.9 Lane 133, Xing-Hua St., Chien Chen Dist., Kaohsiung 806, Taiwan

TEL: 886-7-8135500 FAX: 886-7-8225588 / 8159758

Email: info@new-flow.com www.new-flow.com

INSTALLATION

Technical Data

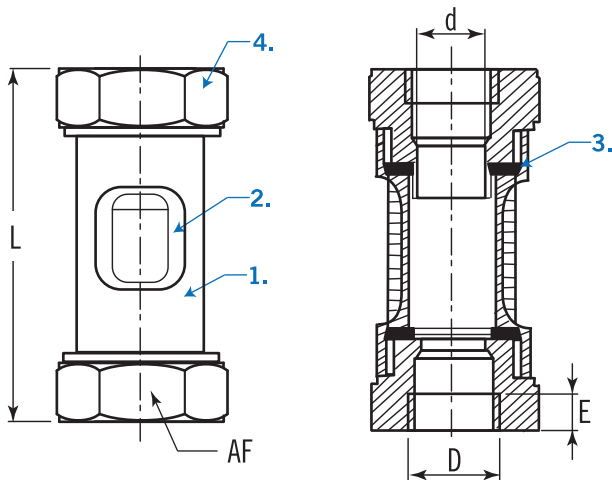
Material: Body: Brass
 Tube Housing: Borosilicate Glass
 O-ring: Viton
 Thread connection: Brass

Max. Pressure: 10 Bar

Max. Temperature: 70°C

Connection Size: G $\frac{1}{4}$ " , G $\frac{3}{8}$ " , G $\frac{1}{2}$ " or NPT available

Dimensions



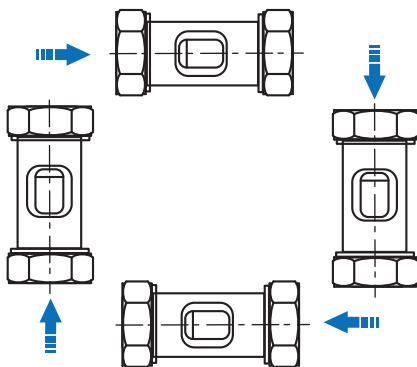
unit=mm

Size	L	AF	D	d	E	Weight (kg)
$\frac{1}{4}$ "	70	19	$\frac{1}{4}$	5	12	0.085
$\frac{3}{8}$ "	70	27	$\frac{3}{8}$	8	12	0.17
$\frac{1}{2}$ "	80	32	$\frac{1}{2}$	12	15.5	0.28

Parts & Material List

Item	Parts Name	Material
1.	Body	Brass
2.	Tube Housing	Borosilicate Glass
3.	O-Ring	Viton
4.	Thread Connection	Brass

Mounting Position



NOTE:

Any direction available.

Operation Warning

1. Solid Bigger than 1.0mm in fluid. Strainer has to be installed in pipe ahead of sight glass gauge.
2. Avoid any pressure surge of fluid.