

**ISO 9001 REGISTERED**

#### 1.0 DESCRIPTION

**Service:** Water, Air

**Wetted parts material:** Body: Polycarbonate (P.C); O-ring: Viton; Float: SS316; Connection: SS316

**Connection size:** 1/4" and 3/8" NPT or PT female available

**Mounting:** Vertical position

**Max. working pressure limit:** 1.2 MPa (12 kg/cm<sup>2</sup>)

**Max. test pressure:** 2.0 MPa (20 kg/cm<sup>2</sup>) (water 25°C)

**Max. working temperature limit:** -10°C to 60°C (for PC body)

**Accuracy:** ±5% full scale

**Alarm switch:** One setting point, form A N.O. type bistable reed switch

**Switch rating:** AC 125V 0.5A / DC 100V 10W / Max. DC 250V < 40mA

**Weight:** 0.3–0.4 kg (Contact setting point should be within 10% to 80% of FS)

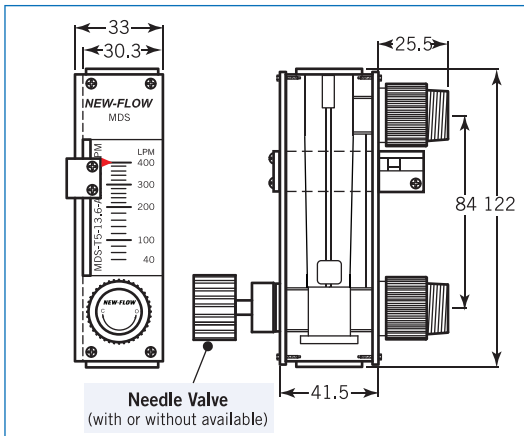
**Needle valve:** With or Without available



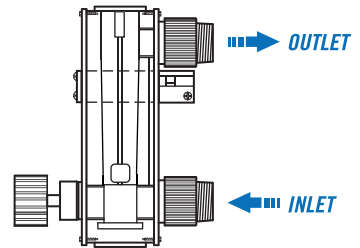
**Approvals:**



#### 2.0 DIMENSIONS



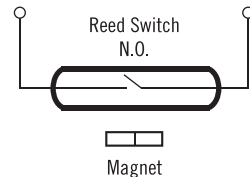
#### 5.0 FLOW DIRECTION TYPES



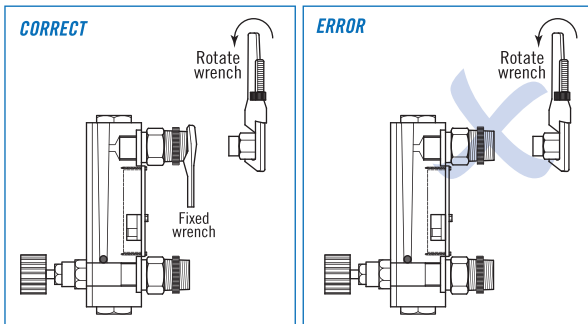
#### 3.0 READ COACTION TO THE FLOAT



#### 6.0 CIRCUIT DIAGRAM



#### 4.0 CAUTION



#### Correct- Use Two Wrenches:

The body process connection must be fixed by one of the wrench at first, and then rotating the other wrench. This is in order to avoid making the plastic body broken-down.