



ISO 9001
REGISTERED

NEW-FLOW

MANUFACTURE OF FLOW SWITCH
FS20 SERIES
AND CONTROL INSTRUMENTS

流動開關操作說明書

Instruction Manual



FS-20R



FS-20 DIN



FS-20X

Patent No.

M290238

Approvals:



NEW-FLOW TECHNOLOGIES, INC.

No.9 Lane 133, Xing-Hua St., Chien Chen Dist., Kaohsiung 806, Taiwan

TEL: 886-7-8135500 FAX: 886-7-8225588 / 8159758

Email: info@new-flow.com www.new-flow.com

TABLE OF CONTENTS

1.0~2.0	Description & Head Type.....	page 1
3.0~5.0	Wire Drawing & Installation	page 2

TEL: 886-7-8135500 FAX: 886-7-8225588
e-mail: info@new-flow.com
<http://www.new-flow.com>
Instruction No.: 20180530-fs20-01



1.0 DESCRIPTION

Technical Data 規範

Size: From 1/2" to 1"

Service: For "Non-corrosive" liquid fluid available

*In general, We DON't recommend using FS20 for the seawater application! But, if it is necessary, please let us know, we can customize the special magnet with lining to match up!

Material: Wetted parts 316 stainless steel

Temperature Limit: -20 to 150°C

Pressure Limit: 7.0 MPa (70 kg/cm²)

Enclosure Housing: FS20R- Weather proof
FS20 Din- Weather proof
FS20X- Explosion proof

Switch Function: SPDT micro switch

Switch Rating: 3A/250VAC, 3A/30VDC, 0.4A/125VDC

Conduit Connection: Female 1/2", 3/4" G, NPT, and M20xP1.5 or M25xP1.5 available

CAUTION.

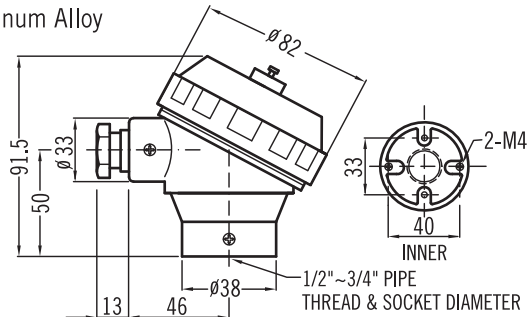
If using the FS20 for the Emergency Shower, please contact with the manufacturer at the first!!

2.0 HEAD TYPE / DIMENSIONS

Head Type 接線盒型式

FS20R- Weather Proof IP68

Material: Aluminum Alloy



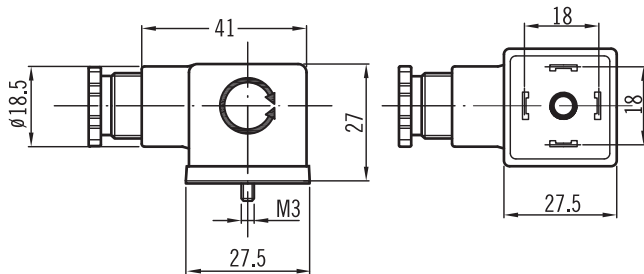
unit=mm

FS20 Din- Weather Proof IP65

Material: Thermoplastic Rubber

Cable Gland: PG9

Connector: DIN43650



unit=mm

FS20X- Explosion Proof

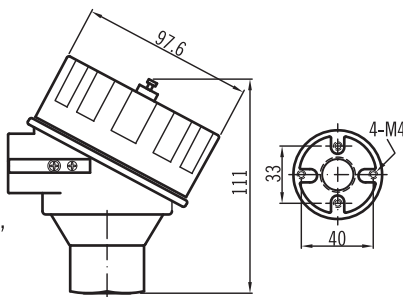
Material: Aluminum Alloy- standard;
SS316 available

ATEX directive code: II 2 G D

Standard code: Ex d IIC T6,

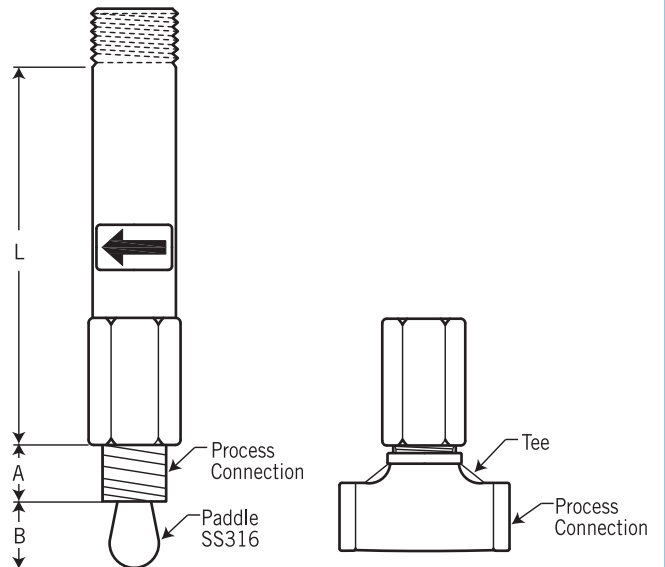
Ex tD A21 T100°C IP68

FM Approvals: XP/II/1/ABCD/T6;
DIP/II, III/1/EFG/T6; Type 4X,
Explosion proof for Class I,
Division 1, Groups A,B,C and D;
and dust-ignition proof for class II,
III, Division 1, Groups E,F and G,
hazardous (classified) locations;
indoor/outdoor (NEMA Type 4X).



unit=mm

Dimensions 尺寸



unit=mm

Size	L	A	B
1/2"	90	19	27
3/4"	90	20	32
1"	90	21	42

3.0 FLOW RATE TABLE

Flow Rate Table 流量作動參考表格

Process Connection (Female with Tee Fitting)	Flow Rates Required Water at 25°C		Dimensions for Tee		
	Acuate (on) ℓ/hour	Deacuate (off) ℓ/hour	A (mm)	B (mm)	REMARK
½"NPT	380,...460	150,...210	52	45	---
¾"NPT 1"NPT	550,...610	140,...240	64	47	¾" Paddle & ¾" Tee
			67	49	¾" Paddle & 1" Tee
1"NPT	930,...1010	750,...780	72	49	---

NOTE.

The Flow Rate Table is only for reference.

Please consult with manufacturer for the accurate flow rate if without tee fitting.

•左圖的流量作動表格僅供參考用。如若沒有三通接口，請聯絡原廠以知準確的流量。

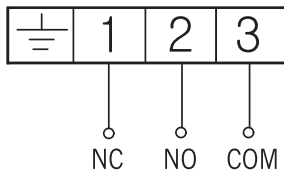
4.0 WIRE DRAWING

Connection Diagram 接線方式

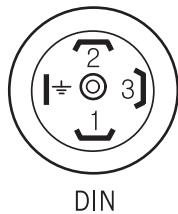
Switch Function: SPDT Micro Switch

Switch Rating: 3A/250VAC, 3A/30VDC, 0.4A/125VDC

3-Wire



•(For Model: FS20R and FS20X)•



•(For Model: FS20 Din)•

5.0 INSTALLATION INSTRUCTION

Installation Instruction 安裝方式

