

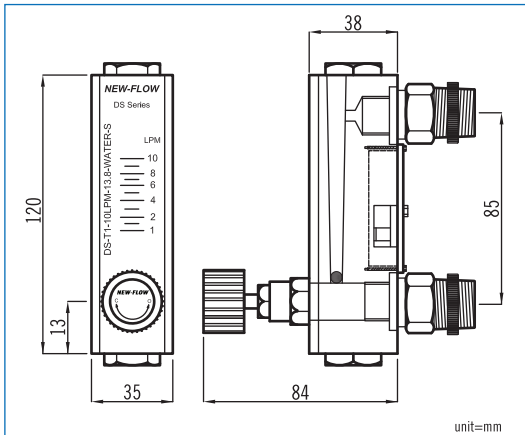
ISO 9001
REGISTERED

1.0 DESCRIPTION

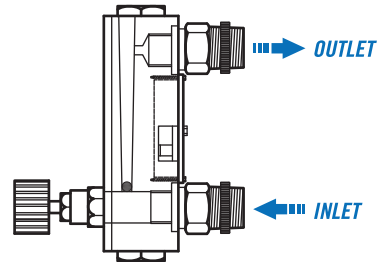
- Service:** Water, Air
 - Wetted Parts Material:** Body-Acrylic plastic; O-ring- NBR, Viton; Float-Magnet cover with Nickel
 - Connection Material:** SS316
 - Connection Size:** 1/4", 3/8"NPT or 3/8"PT female available
 - Mounting:** Vertical position
 - Temperature & Pressure Limits:** 150psig (10bar) @100°F(38°C)
 - Temperature Limit:** -24°C~+54°C
 - Accuracy:** ±5% full scale
 - Alarm Switch:** One or Two setting points, form A N.O. type bistable reed switch
 - Switch Rating:** AC 125V 0.5A / DC 100V 10W / max. DC250V<1mA
 - Weight:** 0.55~0.6 kg
- Contact setting point should be within 10% to 80% of FS



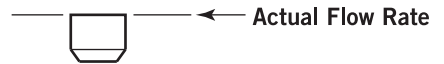
2.0 DIMENSIONS



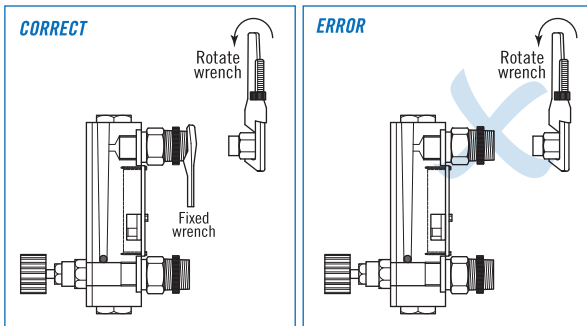
3.0 FLOW DIRECTION TYPES



4.0 READ COACTION TO THE FLOAT



5.0 CAUTION



Correct- Use Two Wrenches:
The body process connection must be fixed by one of the wrench at first, and then rotating the other wrench. This is in order to avoid making the plastic body broken-down.