



ISO 9001  
REGISTERED

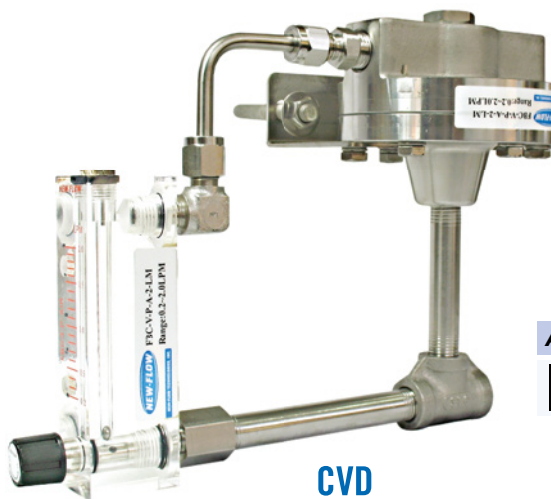
# NEW-FLOW

MANUFACTURE OF FLOW CONSTANT VALVE FOR PURGE METER  
CVA / CVD

## *Instruction Manual*



CVA



CVD

Approvals:



**NEW-FLOW TECHNOLOGIES, INC.**

No.9 Lane 133, Xing-Hua St., Chien Chen Dist., Kaohsiung 806, Taiwan

TEL: 886-7-8135500 FAX: 886-7-8225588 / 8159758

Email: [info@new-flow.com](mailto:info@new-flow.com) [www.new-flow.com](http://www.new-flow.com)

# INSTALLATION

## Technical Data

The CVA series is used where the pressure at the inlet is variable and the pressure at the outlet is constant.

The CVD series is used where the pressure at the inlet is constant and the pressure at the outlet is variable.

### Flow Rate:

**Liquid:** Maximum 200 cc/min water, bigger than it on request

**Gas:** Maximum 30 NL/Min air, bigger than it on request

**Process Connection:** ¼"NPT female, others on request

**Temperature Limit:** 120°C max.

**Pressure Limit:** 10 kg/cm<sup>2</sup>, bigger than it on request

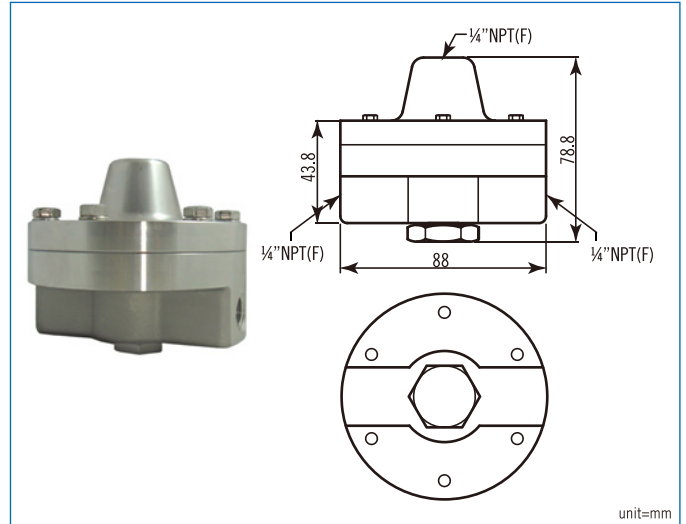
**Controllable Differential Pressure:** Air minimum 0.02 kg/cm<sup>2</sup>

Maximum 4 kg/cm<sup>2</sup>, liquid minimum 0.2 kg/cm<sup>2</sup>

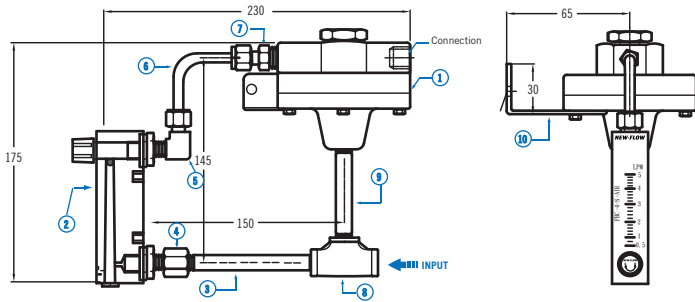
Maximum 4 kg/cm<sup>2</sup>, special range on request

**Accuracy:** ±5% F.S.

**Material:** Body and metal parts-316 stainless steel  
Membrane-Teflon, option on request



## CVD



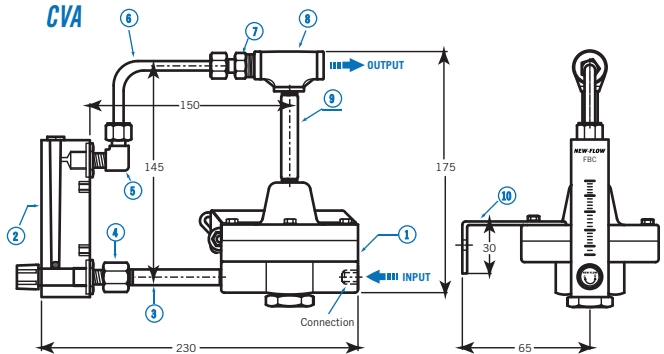
unit=mm  
Tolerance: ±10mm

Material	Connection	Flow Constant Valve Model	Flow Meter Model	Range

### Parts List

Item	Part name	Material	Remarks
1.	CVD Constant Valve	SS316	
2.	FBC Flowmeter	Body Acrylic plastic	
3.	Nipple	SS316	¼" x ¼"NPT(M)
4.	Half Union	SS316	ø6 x ¼"NPT(M)
5.	90° Half Union	SS316	ø6 x ¼"NPT(M)
6.	Tube ø6 mm	SS316	
7.	Half Union	SS316	ø6 x ¼"NPT(M)
8.	Tee	SS316	¼"NPT x ¼"NPT(F)
9.	Nipple	SS316	¼" x ¼"NPT(M)
10.	Mounting port	SS316	

## CVA



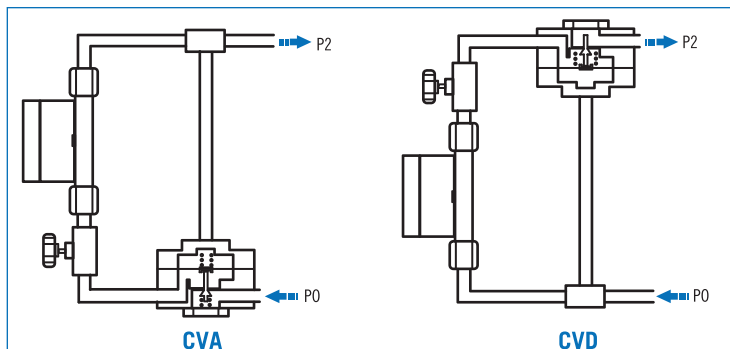
unit=mm  
Tolerance: ±10mm

Material	Connection	Flow Constant Valve Model	Flow Meter Model	Range

### Parts List

Item	Part name	Material	Remarks
1.	CVA Constant Valve	SS316	
2.	FBC Flowmeter	Body Acrylic plastic	
3.	Nipple	SS316	¼" x ¼"NPT(M)
4.	Half Union	SS316	ø6 x ¼"NPT(M)
5.	90° Half Union	SS316	ø6 x ¼"NPT(M)
6.	Tube ø6 mm	SS316	
7.	Half Union	SS316	ø6 x ¼"NPT(M)
8.	Tee	SS316	¼"NPT x ¼"NPT(F)
9.	Nipple	SS316	¼" x ¼"NPT(M)
10.	Mounting port	SS316	

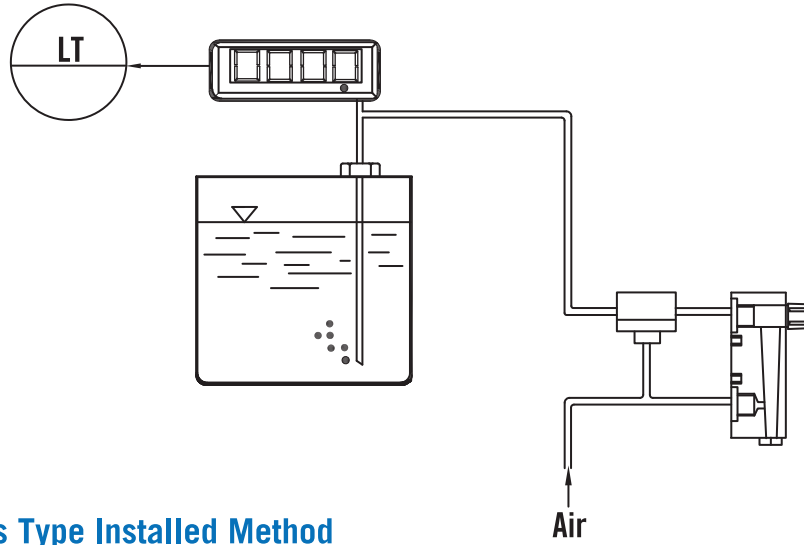
## Installed Drawing



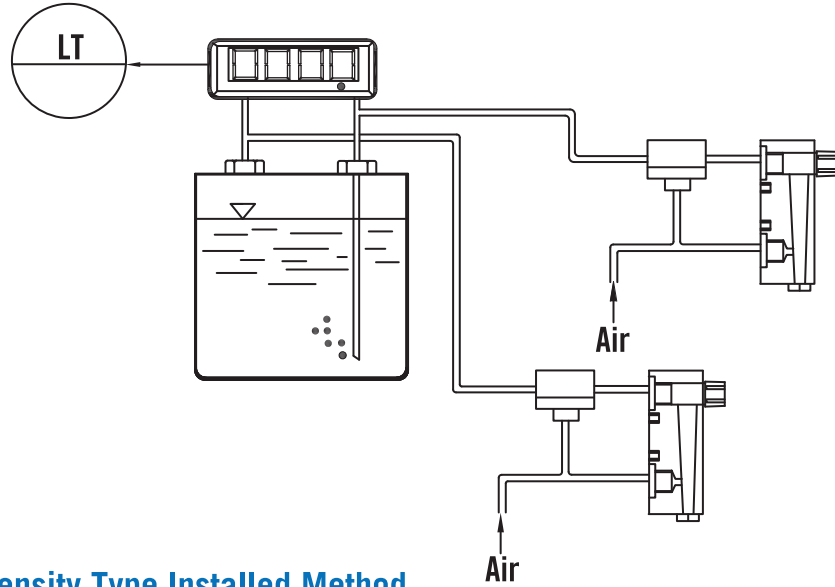
# INSTALLATION

## Installed Method

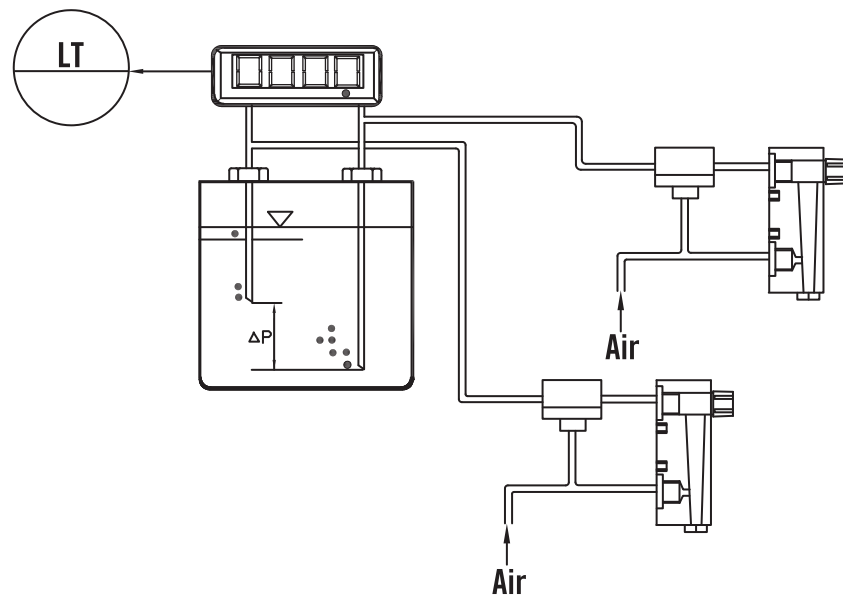
### Open Tanks Type Installed Method



### Closed Tanks Type Installed Method



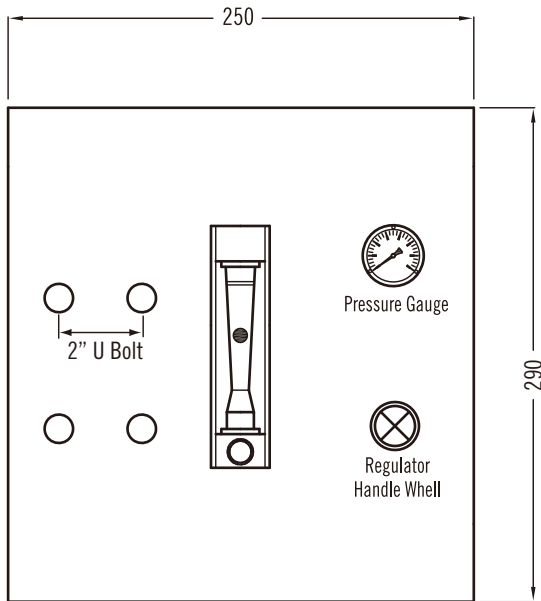
### Measuring Density Type Installed Method



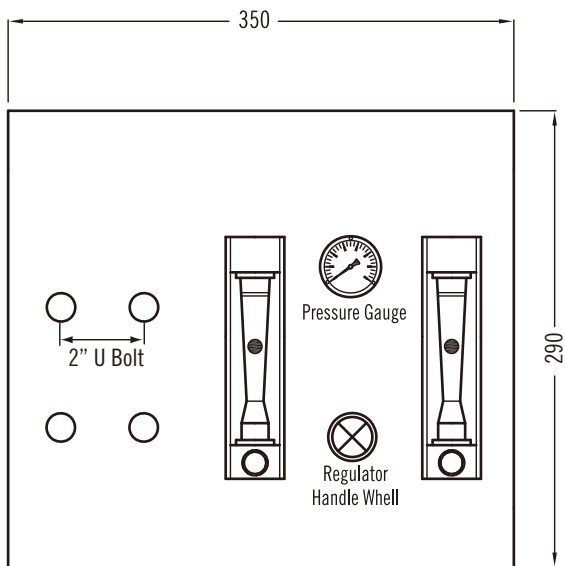
# INSTALLATION

## Purge Set W/Panel

### Glass Tube Flow Meter— One Set

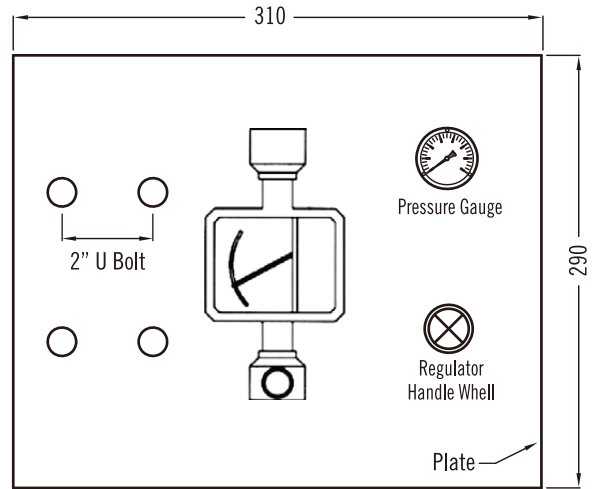


### Glass Tube Flow Meter— Two Set

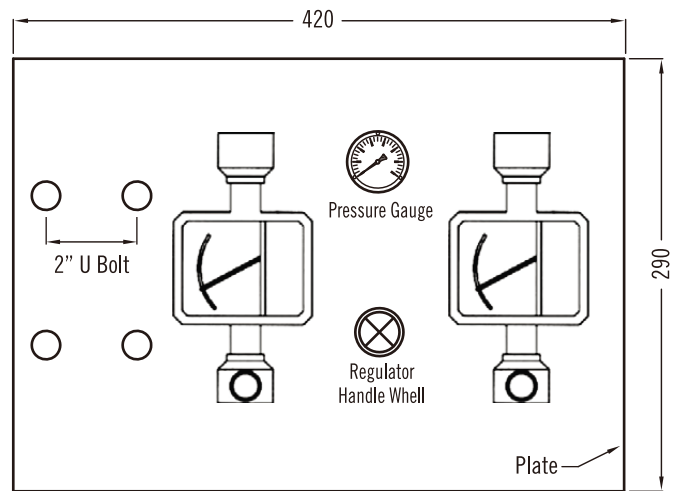


unit=mm

### Metal Tube Flow Meter— One Set



### Metal Tube Flow Meter— Two Set



unit=mm