

TUNING FORK VIBRATING LEVEL SWITCH

VLS5500

Housing: IP65

Explosion Proof:

Class I, Groups B, C, D;

Class II, Groups E, F, G; NEMA 4X

VLS5500 Series are assembled with a tuning fork and energized sensor. It vibrates frequently with mechanical resonance to detect level of powders or granular bulk solids.

Technical Data

Using in powder or solids

Wetted part material: 316 stainless steel

Thread connection: 2" NPT, 2" BSP

Flange connection: from 2" to 3", JIS, ANSI, DIN available

Detection length:

| | Minimum | Maximum |
|--------|---------|---------|
| Thread | 200mm | 450mm |
| Flange | 245mm | 450mm |

Working temperature: -30°C~+80°C

Working pressure: maximum 100 kg/cm², up to 400 kg/cm² on request

Liquid viscosity: 0.2~10000 mpas

Liquid density: 0.6 g/cm³~2.5 g/cm³

Housing: IP65

Explosion Proof: Class I, Groups B, C, D; Class II, Groups E, F, G; NEMA 4X

Power Supply: 110VAC, 220VAC, 24VDC

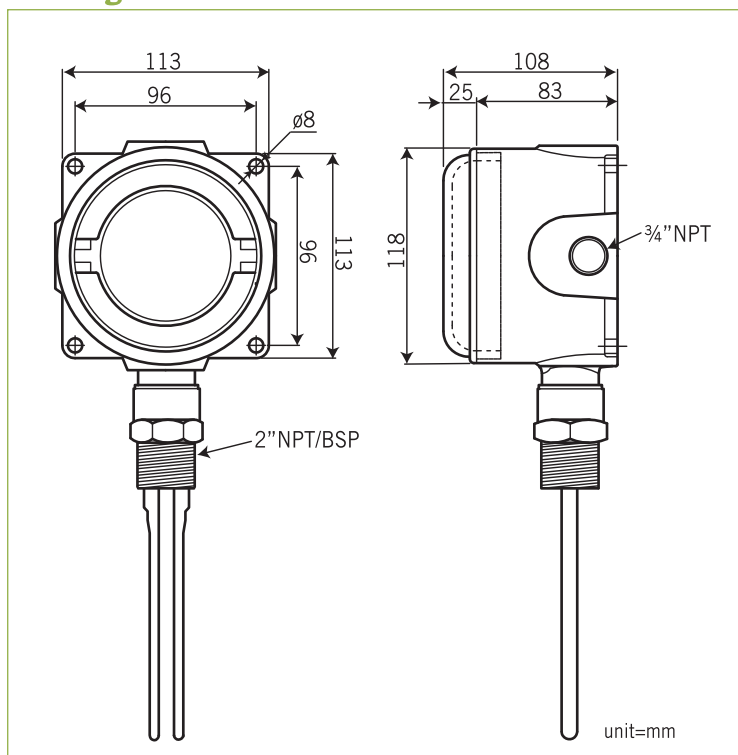
Contact Form: SPDT

Contact Rating: 20A/125VAC, 12A/250VAC

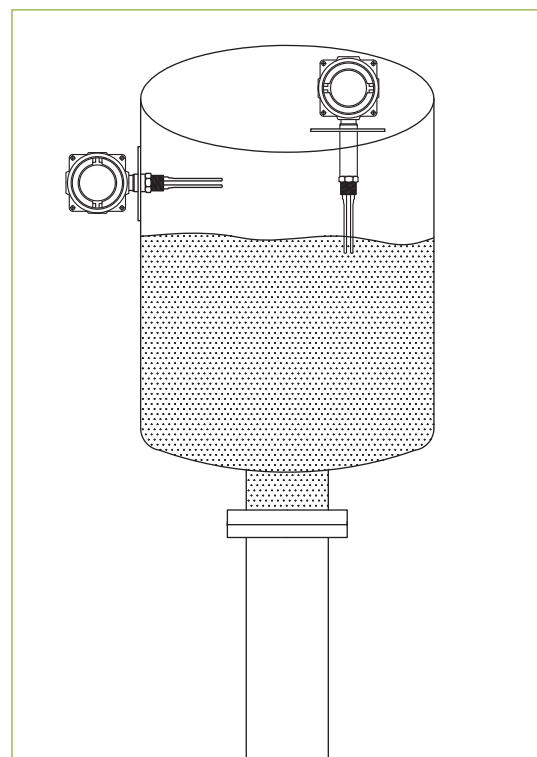
Approvals:

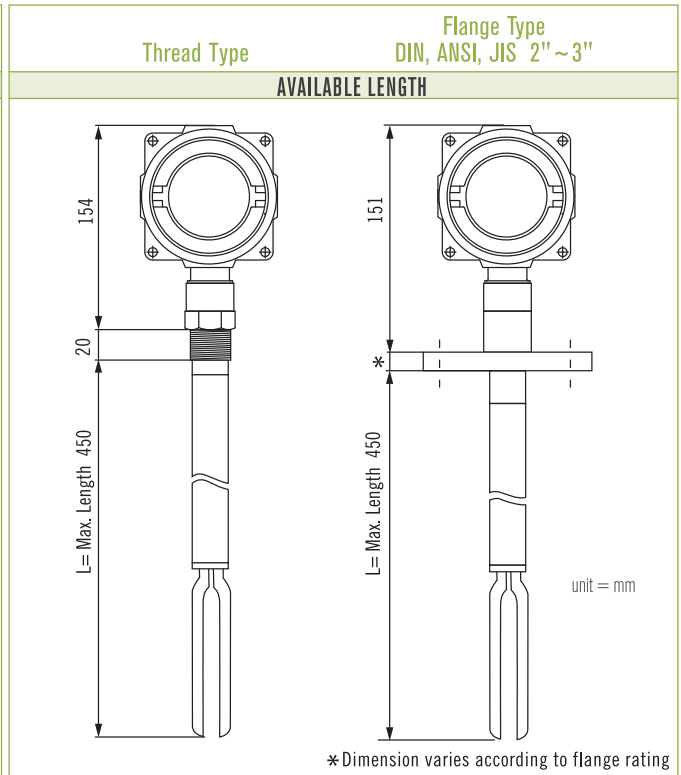
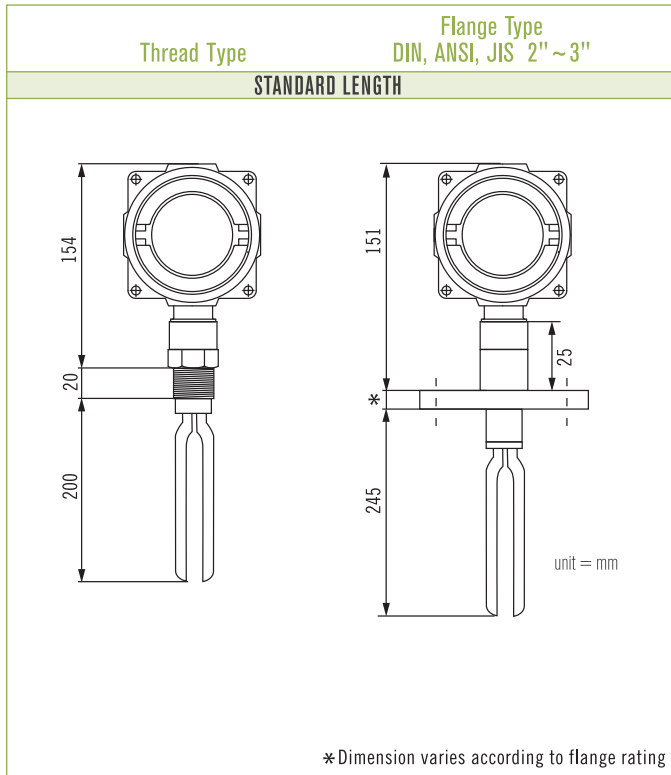


Housing Dimensions



Application and Installation





Ordering Information

| | | |
|----------------|-------------|---|
| VLS5500 | Code | Process Connection |
| | | (1) Thread type (2) Flange type |
| | Code | Connection Size |
| | | (A) 2" (B) 3" |
| | Code | Connection Rating |
| | | Thread: (1) NPT (2) BSP Flange: (3) JIS10K (4) JIS20K (5) ANSI 150# (6) ANSI 300# (7) PN10 (8) PN16 (9) PN25 (0) Option: fill in the requested rating _____ |
| | Code | Electronic Connection |
| | | (E) ¾"NPT Female, Standard (F) ½"NPT Female |
| | Code | Insertion Length |
| | S | Standard |
| | L | Fill in the requested length ie: L=300mm |
| | Code | Power Supply |
| | | (A) 110VAC (B) 220VAC (C) 24VDC |
| VLS5500 | | Complete Ordering Code |