

# PLASTIC FLOW METER

**VF350** with alarm switch type  
without alarm switch type

Approvals:



## Technical Data

**Service:** Liquid, Air

**Wetted parts material:**

Body: Polycarbonate (P.C); Polysulfone (PSU) available

O-ring: Viton

Float: SS316

Connection: SS316

**Connection size:** 3/4", 1", 1 1/4", 1 1/2" NPT female available

**Mounting:** Vertical position

**Max. working pressure limit:** 1.2 MPa (12 kg/cm<sup>2</sup>)

**Max. test pressure:** 2.0 MPa (20 kg/cm<sup>2</sup>) (water 25°C)

**Max. working temperature limit:** -10°C to 60°C (for PC body)  
-10°C to 110°C (for PSU body)

**Accuracy:** ±5% full scale

**Alarm switch:** One setting point,  
form A N.O. type bistable reed switch

**Switch rating:** AC 125V 0.5A / DC 100V 10W /  
Max. DC 250V < 40mA

**Weight:** 0.45~0.5 kg

(Contact setting point should be within 10% to 80% of FS)



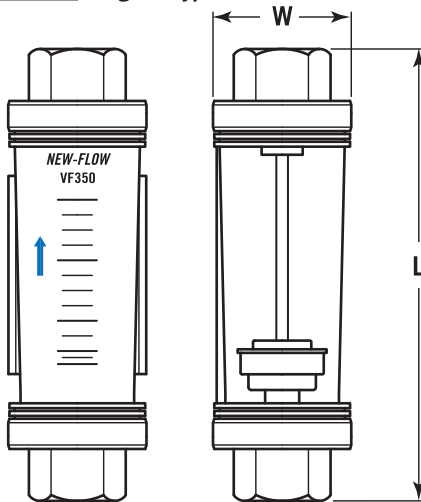
Fixed Type



Original Type

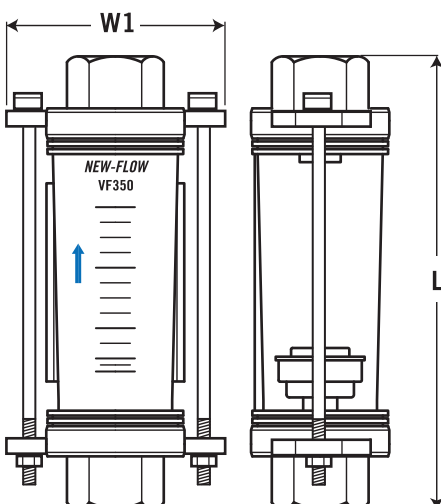
## Dimensions-mm

### VF-350-G: Original Type



Size (NPT)	L (mm)	W (mm)
3/4"	165.5	55
1"	165.5	55
1 1/4"	175	60
1 1/2"	175	60

### VF-350-F: Fixed Type



Size (NPT)	L (mm)	W1 (mm)
3/4"	165.5	85
1"	165.5	85
1 1/4"	175	92
1 1/2"	175	92

## Flow Direction Types



