

MASS FLOW METERS

ULF SERIES – Without LCD Display – Top Electric Connection Type

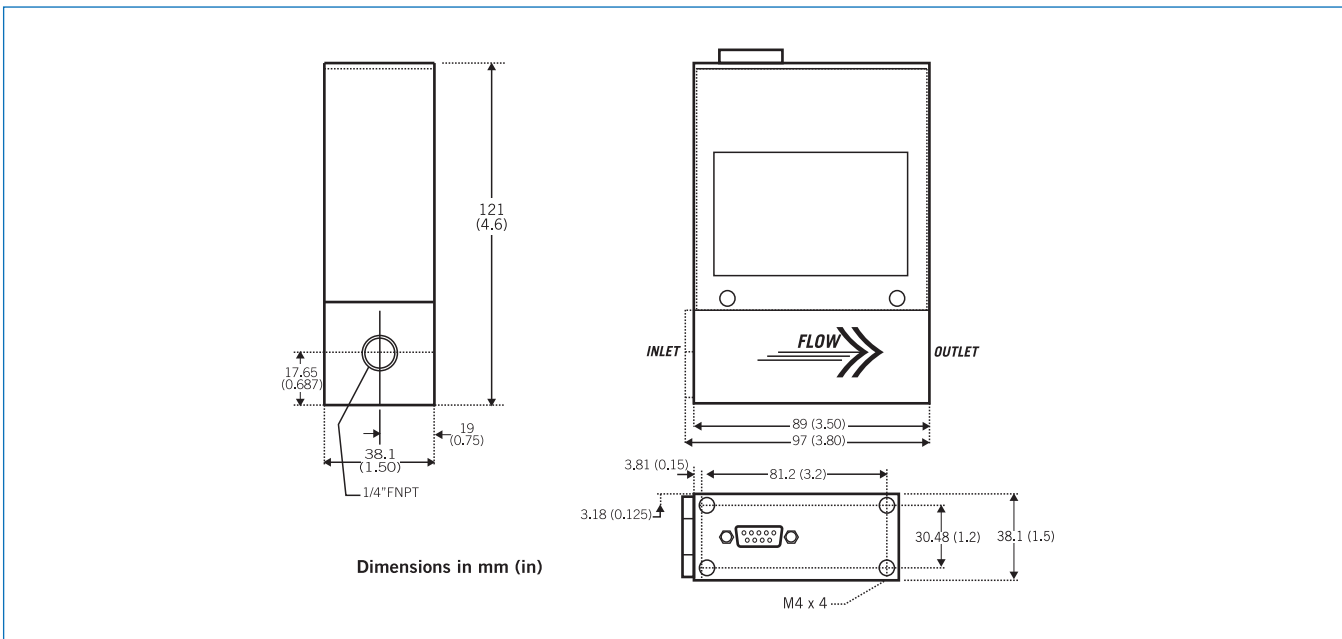
- ±1% Accuracy
- Linear Output
- Thermal Technology
- For Using in Non Corrosive Gas
- Power Supply Included

The NEW-FLOW Thermal Mass Flow Meters provide high performance. Thermal Technology offers advantages in accuracy, sensitivity and turn quality components and the latest technology are combined to provide reliable, compact meters and controllers. The ULF Series comes an without an LCD display, and all models come with linear 0-5 VDC and 4-20 mA output. The ULF Series measures the mass flow rate of gases in 23 ranges from 0-10 SCCM to 0-100 SLM as shown in the range table.

Technical Data

- Wetted Material:** Standard flowbody–SS316; Tapcon; option available.
O-ring: Viton or FFKM available
- Output Signal:** 0-5 VDC Linear min. load 1000Ω or 4-20 mA Linear, loop resistance 500Ω
- Input Power:** 24 VDC standard; optional power supply 15 VDC 115 VAC, 220 VAC @500mA
- Accuracy:** ±1% FS (including linearity)
- Turn Down Ratio:** 100:1
- Repeatability:** ±0.15% FS or better
- Electric Connection:** 9 Pin Sub “D”
- Process Connection:** ¼”NPT female
- Range:** 0-10 SCCM to 0-100 SLM
- Minimum Pressure:** 40” H₂O
- Max Pressure:** SS316–500 psig; Tapcon–250 psig
- Temperature Range:** 0~50°C
- Response Time:** 1 Second
- Temp. Coefficient:** 0.05% Full Scale per 1°C or better
- Pressure Coefficient:** 0.01% Full Scale per PSIG or better
- Weight:** app. 1.08 kg with power supply

Dimensions



Approvals:



Range Table

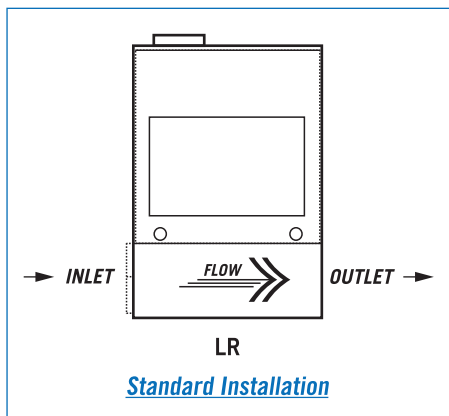
Code	SCCM	Code	SLM	Code	SLM
00	0-10	06	0-1	14	0-35
01	0-20	07	0-2	15	0-40
02	0-50	08	0-5	16	0-45
03	0-100	09	0-10	17	0-50
04	0-200	10	0-15	18	0-55
05	0-500	11	0-20	19	0-60
		12	0-25	20	0-65
		13	0-30	21	0-70
				22	0-75
				23	0-100
				24	*Custom Flow Rate

Note. *Please notice that the max. flow rate is 100 SLM.

Ordering Information

ULF	Code	Flow Range
↓	00~23	Please refer to the measure range table.
	24	*Custom range (please directly fill in the requested range)
		Code Wetted Parts Material
		(A) SS316 (Viton o-ring) (B) SS316 (FFKM o-ring) (T) Tapcon (O) option
		Code Process Connection
		1 ¼"NPT(F)
		Code Display
		0 Without display
		Code Output Signal
		(1) 0-5 VDC (2) 4-20 mA
	Code Input Power	
	(1) 24 VDC (2) 15VDC	
	Code Power Supply for 24VDC	
	(1) With (2) Without	
ULF		Complete ordering code

Flow Direction



■ Please follow the direction of arrow "→" on the label to install.
(As shown on the left is the standard installation.)

■ If customer requires "Vertical ↑ or ↓" installation, please contact with the manufacturer when place an order.