

THREAD TYPE THERMOWELLS

Technical Data

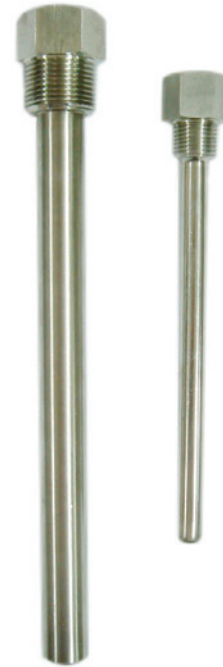
Welded type: WST, WLT,

Drilled bar stock type: BST,BLT,BTT,BTLT,BPST,BPLT

Material: SS304, SS316, SS316L, Monel, Hastelloy C 276, Brass, Carbon Steel, Titanium (special material available upon request)

Process connection: 1/2" ~2" male available (special thread upon request)

Instrument connection: 1/2"NPT, 3/4" NPT Female available (special thread upon request)



Approvals:



Thread Wells Series

Model : WST(Welded Standard Thread Type)

PLUG WITH CHAIN (OPTIONAL)
 Y-yes N-no

OUR STANDARD:
 (1) O.D-10 , I.D-7mm
 (2) O.D-12 , I.D-9mm
 (3) O.D-14 , I.D-10mm
No custom request for this type!

Tube Welded Type

Model : WLT(Welded Lag Thread Type)

PLUG WITH CHAIN (OPTIONAL)
 Y-yes N-no

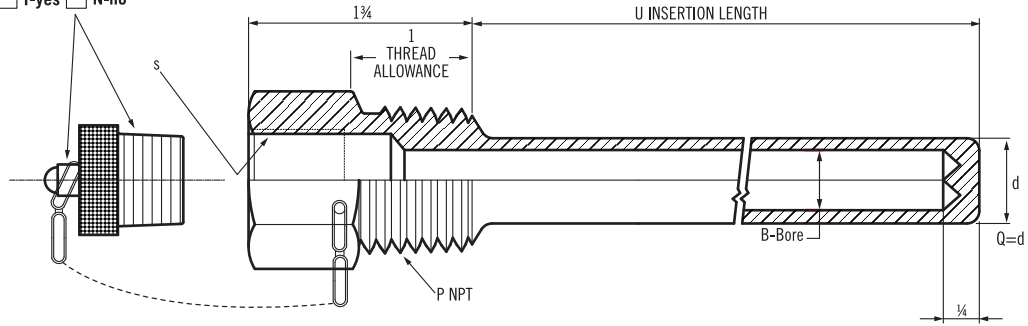
OUR STANDARD:
 (1) O.D-10 , I.D-7mm
 (2) O.D-12 , I.D-9mm
 (3) O.D-14 , I.D-10mm
No custom request for this type!

Tube Welded Type

Model : BST(Straight Standard Thread Type)

PLUG WITH CHAIN (OPTIONAL)

Y-yes N-no

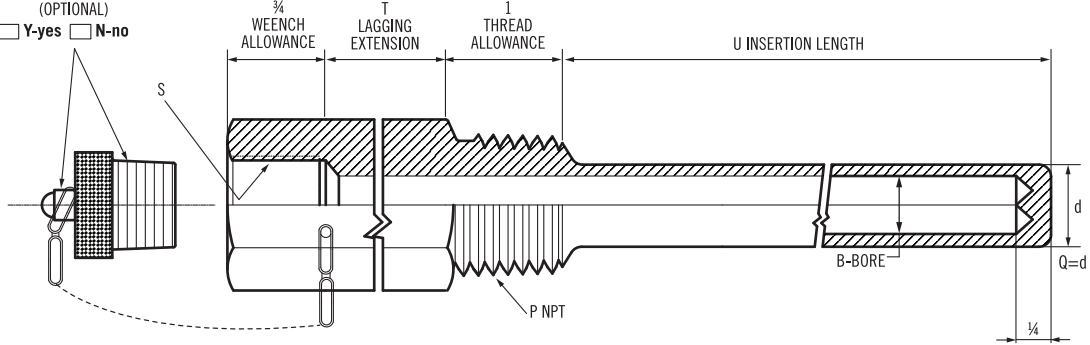


Bar Drilled Type

Model : BLT(Straight Lag Extension Thread Type)

PLUG WITH CHAIN (OPTIONAL)

Y-yes N-no

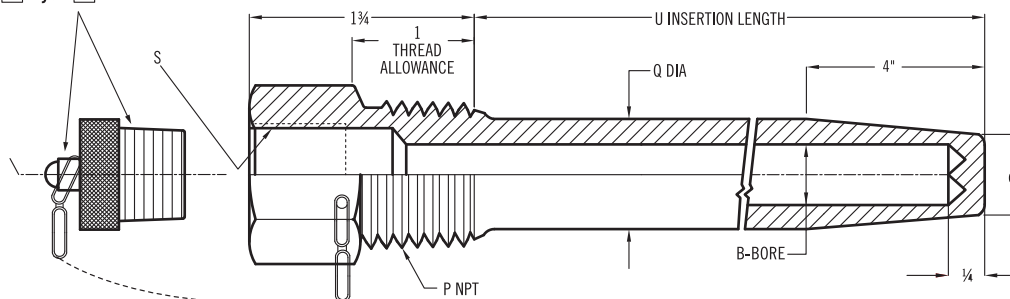


Bar Drilled Type

Model : BTT(Tapered Standard Thread Type)

PLUG WITH CHAIN (OPTIONAL)

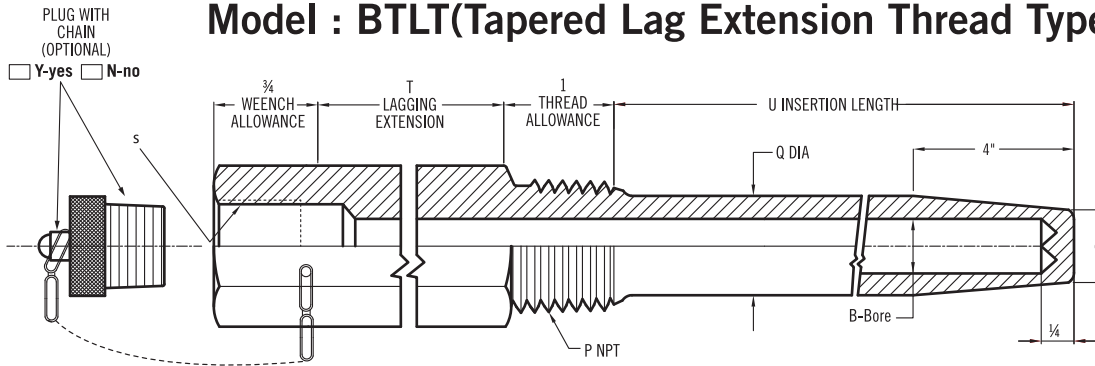
Y-yes N-no



Bar Drilled Type

Standard: Q x d
 (1) 19 x 15mm
 (2) 25 x 22mm
 (3) 22 x 19mm

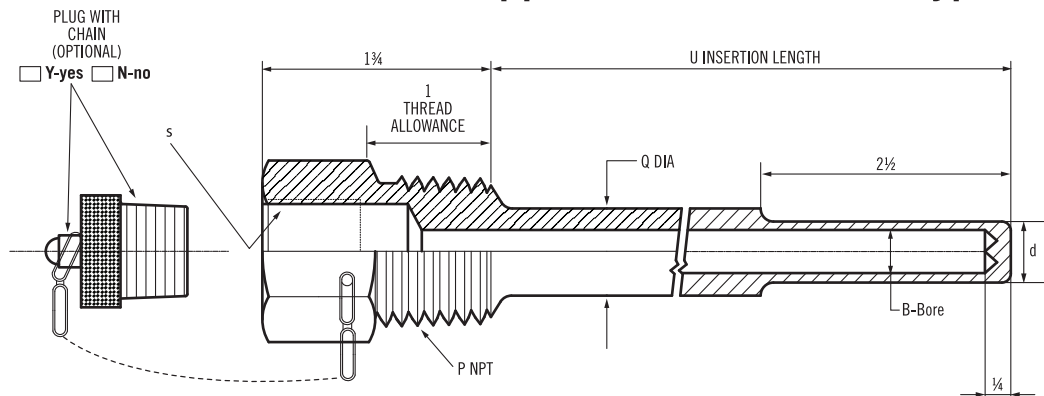
Model : BTLT(Tapered Lag Extension Thread Type)



Bar Drilled Type

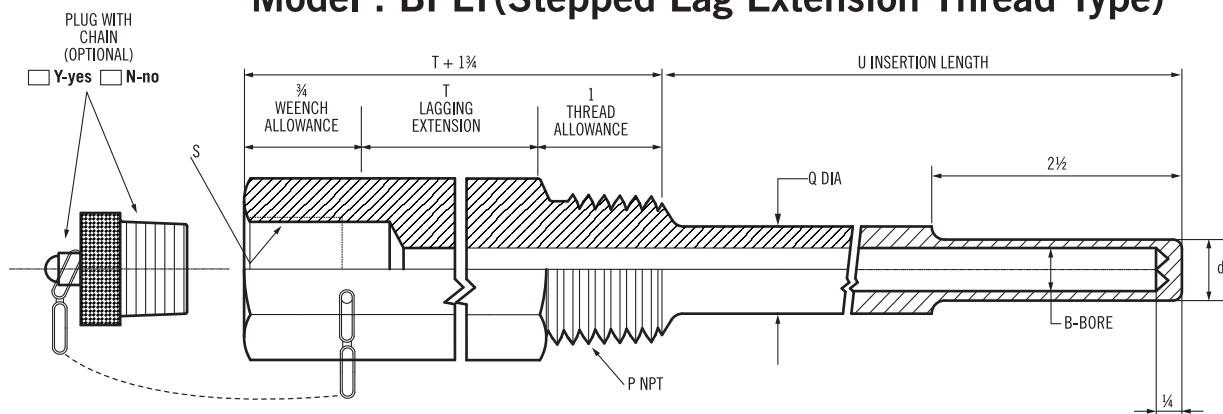
Standard: Q x d
 (1) 19 x 15mm
 (2) 25 x 22mm
 (3) 22 x 19mm

Model : BPST(Stepped Standard Thread Type)



Bar Drilled Type

Model : BPLT(Stepped Lag Extension Thread Type)



Bar Drilled Type

Ordering Information

Model	Configuration Style								
	WST	WLT	BST	BLT	BTT	BTLT	BPST	BPLT	
<div style="display: flex; justify-content: space-between; align-items: center;"> <div style="width: 10%; text-align: center;">↓</div> <div style="width: 10%; text-align: center;">↓</div> <div style="width: 10%; text-align: center;">↓</div> <div style="width: 10%; text-align: center;">↓</div> <div style="width: 10%; text-align: center;">↓</div> <div style="width: 10%; text-align: center;">↓</div> <div style="width: 10%; text-align: center;">↓</div> <div style="width: 10%; text-align: center;">↓</div> <div style="width: 10%; text-align: center;">↓</div> <div style="width: 10%; text-align: center;">↓</div> </div>	Code Material								
	CS	Carbon Steel		MO	Monel				
	S1	304 Stainless Steel		HC	Hastelloy C276				
	S2	316 Stainless Steel		Ti	Titanium				
	S3	316L Stainless Steel		OP	Option (please indicate material)				
	Code		Process Connection (P)						
			(1) ½" (2) ¾" (3) 1" (4) 1½" (5) 2" (6) option (please indicate size)						
	Code		S-Instrument Connection						
	A		½" NPT Female		0		option		
	B		¾" NPT Female						
	Code		Lag Length "T"						
	No		0		T6		6"		
	T3		3"		Tn		option (please indicate length)		
	Code		"Q" Diameter (mm)						
			Please directly fill in the required diameter.						
Code		"d" Diameter (mm)							
		Please directly fill in the required diameter.							
Code		"B" BORE Diameter							
		(1) Ø6 (2) Ø7 (3) Ø8 (4) Ø9 (5) Ø10 (0) option							
Code		"U" Insertion Length							
		Fill in the requested length: e.g. 300mm=300u							
Code		Plug with Chain							
Y		Yes							
N		No							
Complete Ordering Code									