

MASS FLOW METERS

TMF SERIES – Flow Rate & Totalizer LCD Display – Flow Rate With or Without LCD Display

±1% & ±1.5% Accuracy

Linear Output

Thermal Technology

For Using in Non Corrosive Gas

For Flow Rates up to 250 SLM

Power Supply Included

The NEW-FLOW Thermal Mass Flow Meters provide high performance. Thermal Technology offers advantages in accuracy, sensitivity and turn quality components and the latest technology are combined to provide reliable, compact meters and controllers. The TMF Series comes With or Without an LCD Display; or Flow Rate with Totalizer LCD Display. All models come with linear 0-5VDC and 4-20mA output. The TMF Series measures the mass flow rate of gases in 4 ranges from 0-100 SLM to 0-250 SLM as shown in the range table.

Technical Data

Type: Without LCD Display;

Flow Rate with LCD Display & Blue Back Lighted;

Flow Rate with Totalizer LCD Display & Blue Back Lighted

Wetted Parts Material: Standard flowbody—SS316, option available.

O-ring: Viton or FFKM available

Output Signal: 0-5 VDC Linear min. load 1000Ω or 4-20 mA Linear, loop resistance 500Ω

Input Power: 24VDC standard; optional power supply 15VDC 115VAC, 220VAC @500mA

Accuracy: ±1% F.S. (including linearity);

±1.5% F.S. (including linearity) for range 0-250 SLM

Turn Down Ratio: 100:1

Repeatability: ±0.15% F.S. or Better

Electric Connection: 9 Pin Sub "D"

Process Connection: ½"NPT female

Range: 0-100 SLM to 0-250 SLM

Minimum Pressure: 100" H₂O

Max. Pressure: 500 psig

Temperature Range: 0-50°C

Response Time: 1 Second

Temp. Coefficient: 0.05% Full Scale per 1°C or Better

Pressure Coefficient: 0.01% Full Scale per PSIG or Better

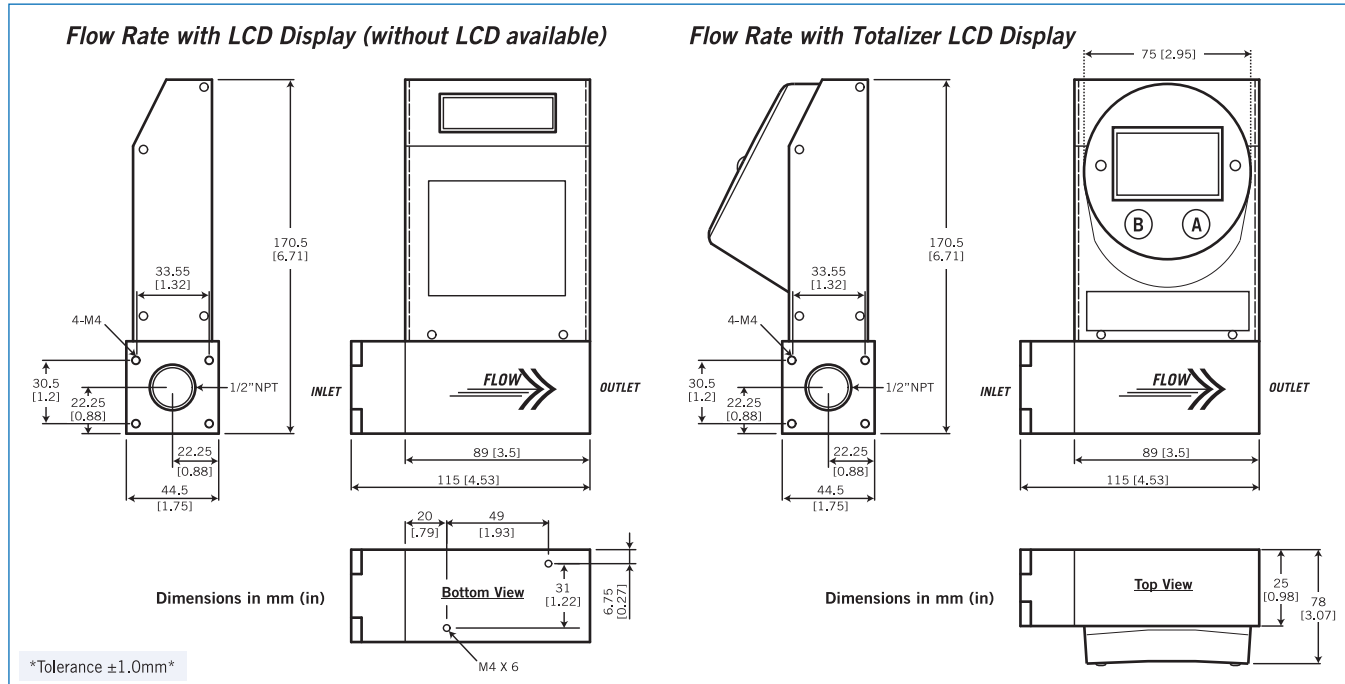
Flow Unit: Kg, GAL, Nl, Nm³, cc, l, M³

(Flow rate with LCD display: Label by manufacturer;

Flow rate with totalizer LCD display: Unit LCD display)

Weight: app. 1.64 kg with power supply; app. 1.78 kg with power supply & totalizer

Dimensions

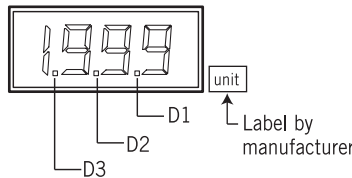


Approvals:



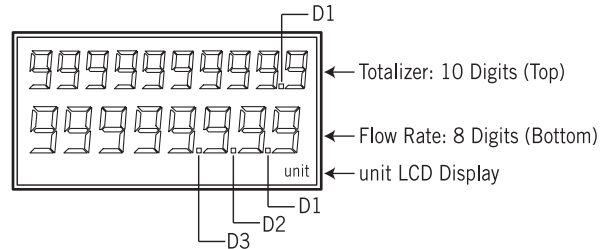
Display Digital Decimal Point Function

Flow Rate with LCD Display:



Range	Decimal Point
0 ~ 1.999	D3
2.0 ~ 19.99	D2
20.0 ~ 199.9	D1
200 ~ 1999	None

Flow Rate with Totalizer LCD Display :



Range Table

Code	SLM	ACCURACY
00	0-100	±1% F.S.
01	0-150	±1% F.S.
02	0-200	±1% F.S.
03	0-250	±1.5% F.S.
04	*Custom Flow Rate	

NOTE.

*Please notice that the max. flow rate is 250 SLM.

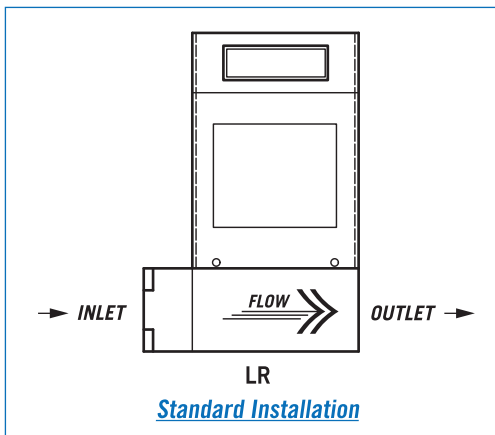
Ordering Information

TMF	Code	Flow Range
	00	0~100 SLM
	01	0~150 SLM
	02	0~200 SLM
	03	0~250 SLM
	04	*Custom range (please directly fill in the requested range)
	Code	Wetted Parts Material
	A	SS316 (Viton o-ring)
	B	SS316 (FFKM o-ring)
	O	option
	Code	Process Connection
	1	½"NPT(F)
	Code	Display
	B	Flow Rate with LCD Display & Blue Back Lighted
	T	Flow Rate with Totalizer LCD Display & Blue Back Lighted
	O	Without LCD Display
	Code	Output Signal
	(1)	0~5 VDC
	(2)	4~20mA
	Code	Input Power
	(1)	24 VDC
	(2)	15 VDC
	Code	Power Supply for 24 VDC
	(1)	With
	(2)	Without

TMF									Complete Ordering Code
-----	--	--	--	--	--	--	--	--	------------------------

WWW.NEW-FLOW.COM • TEL: 886-7-813500 • FAX: 886-7-8225588 • Email: info@new-flow.com

Flow Direction



- Please follow the direction of arrow "➔" on the label to install. (As shown on the left is the standard installation.)
- If customer requires "Vertical ⬆ or ⬇" installation, please contact with the manufacturer when place an order.