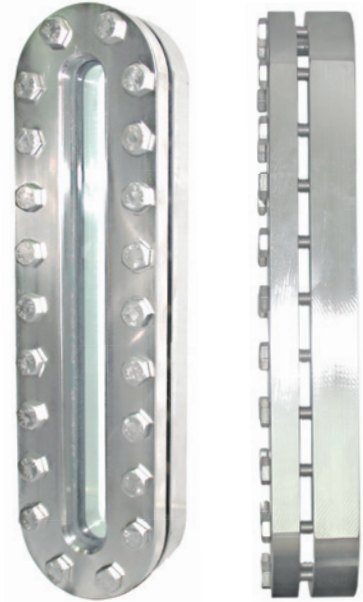


SIGHT GLASS SV SERIES

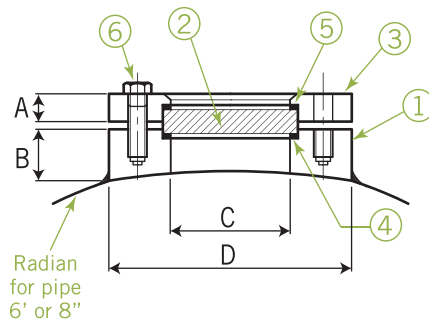
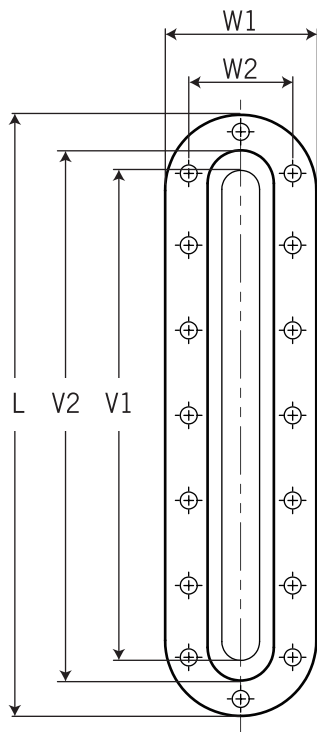
Welding– In Vessel Type
Low Pressure System Used

Technical Data

Length: 1 section; please refer to the Dimensions Table
Wide: 67mm or 80mm available
Pressure Limit: Up to 40 bar (kg/cm²); depending on request size
Temperature Limit: Up to 280°C
Material: Wetted parts & Body– SS304, SS316, and others on request;
 Sight Glass– Tempered borosilicate glass (Transparent);
 Bolt– SS304 and others on request;
 Gasket– NonAsbestos (standard), Teflon on request



Dimensions



Parts List & Material:

No.	Parts Name	Material
1	PAD Flange	SS304 or SS316 available
2	Sight Glass	Tempered Borosilicate Glass
3	Cover	SS304
4	Gasket	NonAsbestos, t=3mm
5	Gasket	NonAsbestos, t=3mm
6	Bolt, M10	SS304

Dimensions Data:

Radian for Pipe	Order Code	Total Length L (+5/-5mm)	Section No.	Visible Length V1	Glass Length V2	Pad Flange B x C	Cover Thk. A	D	Bolts		Weight (kg)
									No.	W	
6"	SV-A1-6	220	1	175	190.5	24 x 67	15.8	35	10	51	---
8"	SV-A1-8										
6"	SV-A2-6	318	1	260	280.5	24 x 80	19.1	35	10	51	---
8"	SV-A2-8										

unit=mm

Ordering Information

SV	Code	Order Code
		Please fill in the order code directly. (A1 or A2)
		(0) option (customize)
	Code	Body (Pad Flange) Material
		(1) SS304 (2) SS316 (0) option
	Code	Sight Glass Type
	R	Reflex
	T	Transparent
	Code	Gasket Material
	1	Non-Asbestos
	2	Teflon
SV		