

# SYPHON SU SERIES

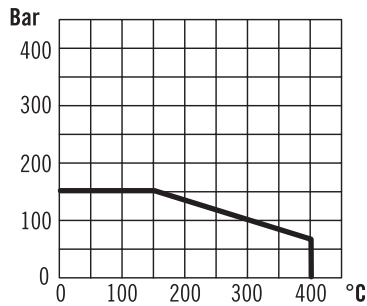


## Technical Data

Material: SS316, SS304 available

Pipe Rating: Sch40S, Sch80S available

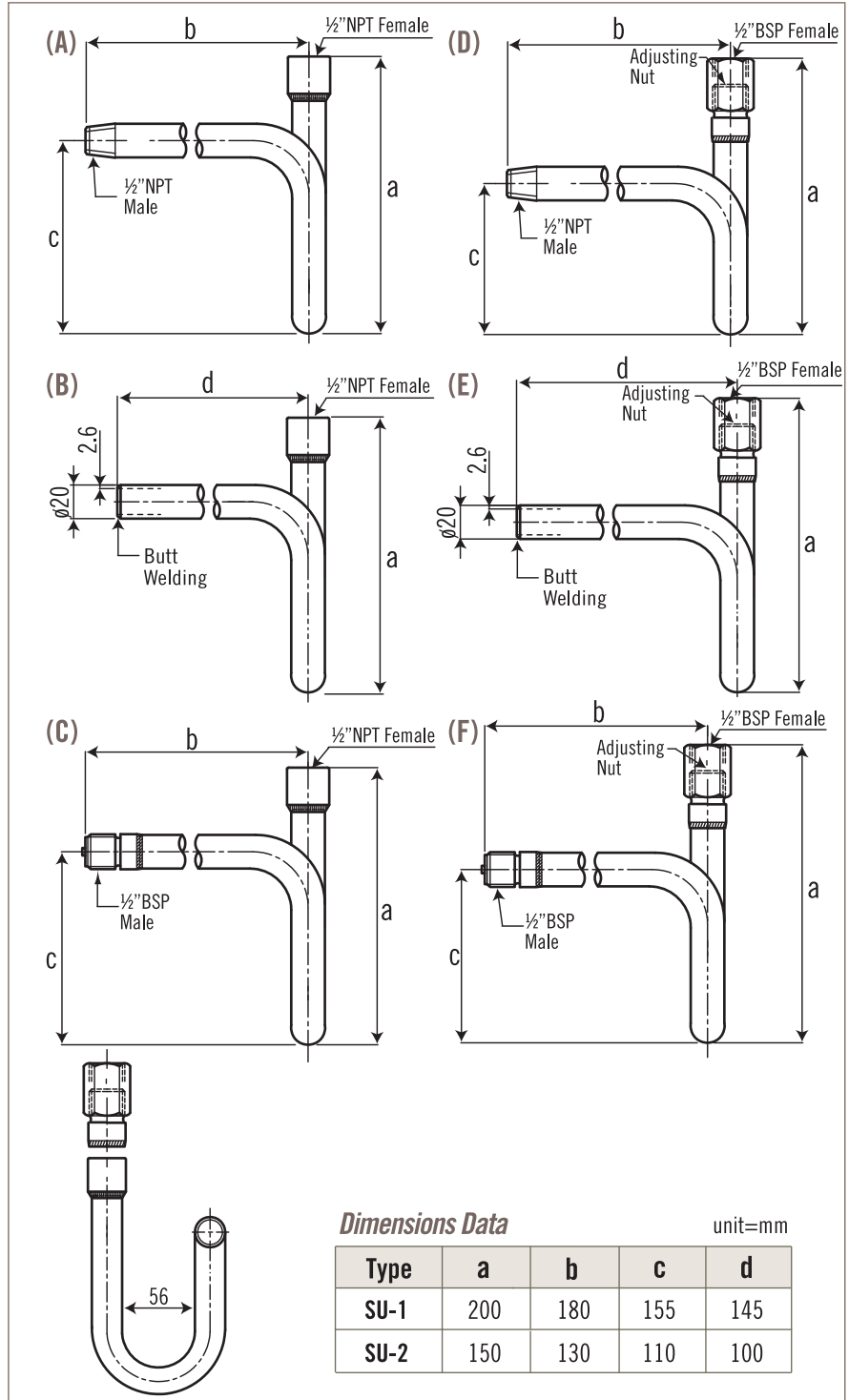
## Working Pressure & Temperature



## Tube Table

| Tube / Material  | Max. Temp. (°C) | Max. Press. (Bar) |
|------------------|-----------------|-------------------|
| Sch 40S / SS316  | 80              | 250               |
|                  | 120             | 160               |
|                  | 300             | 100               |
|                  | 400             | 80                |
| Sch 80S / SS316  | 80              | 300               |
|                  | 120             | 300               |
|                  | 300             | 160               |
|                  | 400             | 100               |
| Sch 100S / SS316 | 80              | 400               |
|                  | 120             | 400               |
|                  | 300             | 250               |
|                  | 400             | 160               |

## Dimensions



### Dimensions Data

| Type | a   | b   | c   | d   |
|------|-----|-----|-----|-----|
| SU-1 | 200 | 180 | 155 | 145 |
| SU-2 | 150 | 130 | 110 | 100 |

unit=mm

## Ordering Information

| SU-1 / SU-2 | Code | Type / Connection Figure |            |            |             |   |   | Code   | Tube Type                                       |               |
|-------------|------|--------------------------|------------|------------|-------------|---|---|--------|---|---------------|
|             |      | A                        | B          | C          | D           | E | F |        | (1) Seam  | (2) Seamless  |
|             |      | Code                     |            |            | Tube Size   |   |   |        | Code  | Tube Material |
|             |      |                          | (1) Sch40S | (2) Sch80S | (3) Sch100S |   |   |        | (1) SS304                                       | (2) SS316     |
|             |      |                          |            |            |             |   |   | Option | other type please contact manufacturer directly |               |
|             |      |                          |            |            |             |   |   |        |   |               |
|             |      |                          |            |            |             |   |   | +      | Complete Ordering Code                          |               |