

# SIGHT GLASS SR SERIES

Welding– In Vessel Type  
Low Pressure System Used

## Technical Data

**Length:** 1, 2 & 4 section available; please refer to the Dimensions Table

**Pressure Limit:** Up to 12 bar (kg/cm<sup>2</sup>); depending on request size

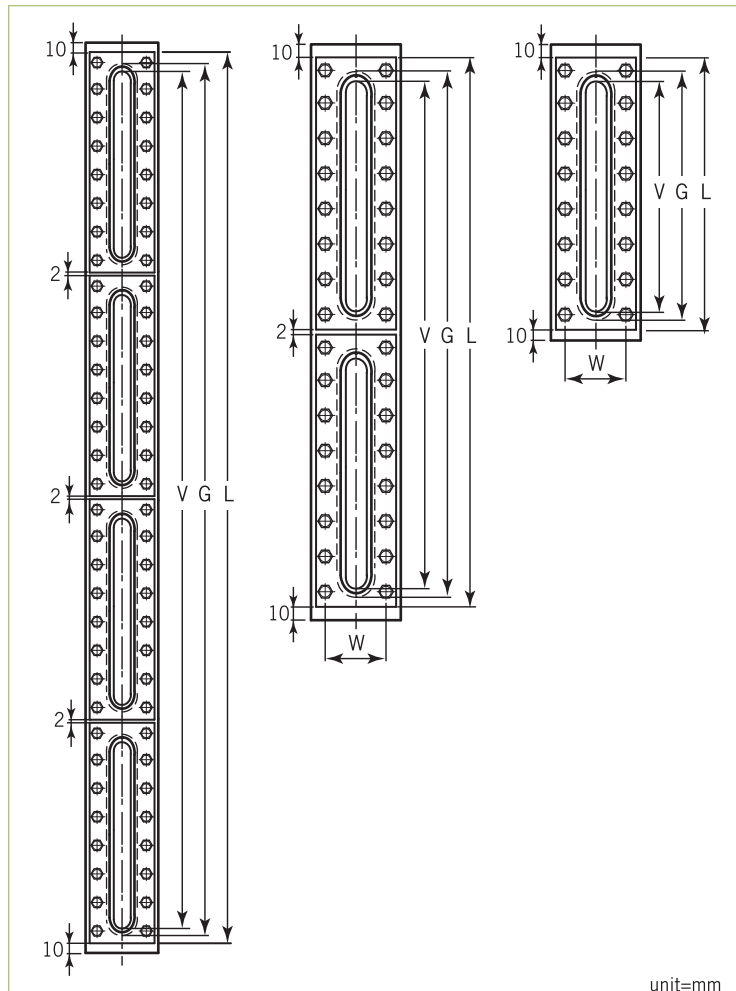
**Temperature Limit:** Up to 280°C

**Material:** Wetted parts & Body– SS304, SS316, and others on request;

Sight Glass– Tempered borosilicate glass (Reflex & Transparent available);

Bolt– SS304 and others on request; Gasket– NonAsbestos (standard), Teflon on request

## Dimensions

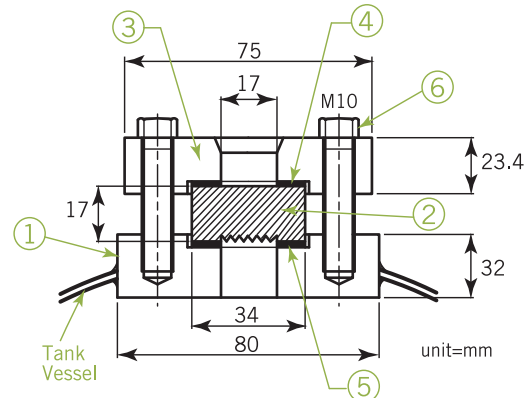


unit=mm

Order Code	Total Length	Section No.	Visible Length	Glass Length		Bolts		Weight (kg)
	L (+5/-5mm)			V	G	No.	W	
SR-A1	185	1	135	165	10	51	3.5	
SR-A2	240	1	190	220	12	51	5.8	
SR-A3	320	1	270	300	14	51	6.5	
SR-A4	340	1	290	320	14	51	8.0	
SR-A5	360	1	310	340	16	51	9.2	
SR-B6	482	2	2 x 190	2 x 220	24	51	11.8	
SR-B7	642	2	2 x 270	2 x 300	28	51	13.8	
SR-B8	682	2	2 x 290	2 x 320	28	51	15.6	
SR-B9	722	2	2 x 310	2 x 340	32	51	18.5	
SR-C10	980	3	3 x 270	3 x 300	48	51	22.3	



## Parts List



No.	Parts Name	Material
1	PAD Flange	SS304 or SS316 available
2	Sight Glass	Tempered Borosilicate Glass (340 x 34 x 17mm)
3	Cover	SS304
4	Gasket	NonAsbestos, t=3mm
5	Gasket	NonAsbestos, t=3mm
6	Bolt, M10	SS304

## Ordering Information

SR	Code	Order Code
		Please fill in the order code directly. (A1~C10)
		(0) option (customize)
		<b>Code</b> <b>Body (Pad Flange) Material</b>
		(1) SS304 (2) SS316 (0) option
		<b>Code</b> <b>Sight Glass Type</b>
	R	Reflex
	T	Transparent
		<b>Code</b> <b>Gasket Material</b>
	1	Non-Asbestos
	2	Teflon
SR		