

SIGHT GLASS

SOG SERIES-250

Technical Data

Size: 1/2" ~ 2" available

Connection Type: NPT, BSP, and Socket-Weld available

Pressure Limited: Up to 16Bar(Kg/cm²) @25°C water;
depending on request size

Temperature Limited: Up to 200°C

Material: Wetted Parts & Body- SS304, SS316 and Others on request;

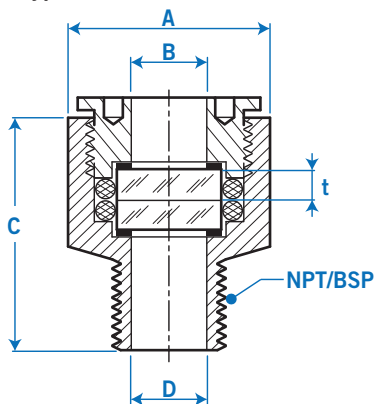
Sight Glass- Transparent Tempered Glass; Bolt- SS304 and Others on request;

Gasket- PTFE, Sigma 533 available



Dimensions

THREAD Type:

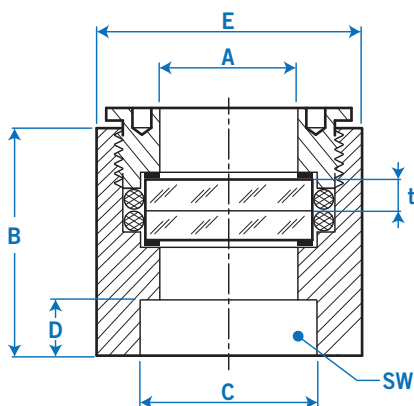


Dimensions Data

unit=mm

NPT/BSP	A	B	C	D	t
1/2"	50.8	19.0	53.0	14.0	8.0
3/4"	50.8	19.0	53.0	19.0	8.0
1"	70.0	38.0	63.0	24.3	8.0
1 1/4"	70.0	38.0	63.0	35.0	8.0
1 1/2"	70.0	38.0	63.0	38.0	8.0
2"	70.0	38.0	63.0	38.0	8.0

SOCKET-WELD Type:



Dimensions Data

unit=mm

SW	A	B	C	D	E	t
1/2"	19.0	48.0	22.5	9.5	50.8	8.0
3/4"	19.0	49.0	28.0	11.0	50.8	8.0
1"	38.0	50.8	35.0	11.0	70.0	8.0
1 1/4"	38.0	52.0	43.0	14.0	70.0	8.0
1 1/2"	38.0	54.0	50.0	16.0	70.0	8.0

Ordering Information

SOG	Code	Type
	250T	Thread Type
	250S	Socket-Weld Type
	Code	Body Material
	1	SS304
	2	SS316
	3	Option
	Code	Size
	(A)	1/2" (B) 3/4" (C) 1" (D) 1 1/4" (E) 1 1/2" (F) 2"
	Code	Connection Type
	(N)	NPT (B) BSP (O) Socket-Weld only
	Code	Gasket Material
	(1)	PTFE (2) Sigma 533
SOG		Complete Ordering Code