

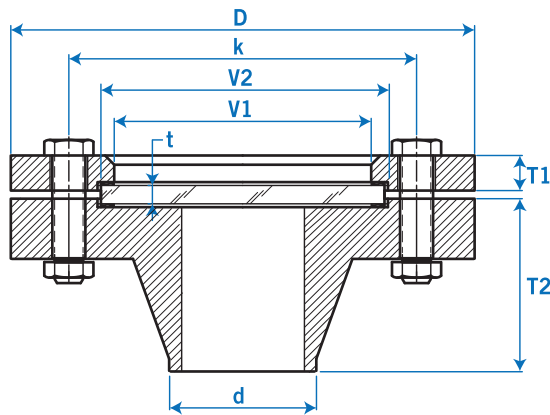
SIGHT GLASS SOG SERIES-100

Weld-In for Tank, Pipe, and Vessel
Low Pressure System Used
Working with Fluid and Gas Available

Technical Data

Size: 1½"~8" available
Rating: ANSI 150#, ANSI 300#, PN10 and PN16 available
Pressure Limited: Up to 16 Bar(Kg/cm²) @25°C water; depending on request size
Temperature Limited: Up to 280°C
Material: Wetted Parts & Body- SS304, SS316 and Others on request;
 Sight Glass- Transparent Tempered Glass; Bolt- SS304 and Others on request;
 Gasket- PTFE, Graphite, Sigma 533, and Others on request

Dimensions

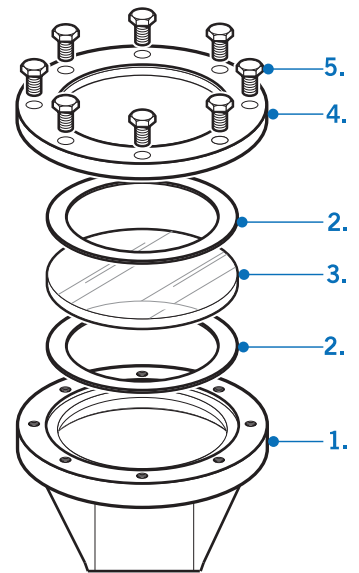


NOTE.
 (*) For size 5"~8":
 Pressure limit can be 16 bar as
 the tempered glass thickness (t)
 is 30mm.

unit=mm

Size (inch)	1½"	2"	2½"	3"	4"	5"	6"	8"
Pressure Limit (bar)	16	16	16	16	16	10/16(*)	10/16(*)	10/16(*)
V1 (Visible Diameter)	52	62	82	92	107	152	172	222
V2 (Visible Diameter)	70	80	100	110	125	175	200	250
t (Tempered Glass Thickness)	19	19	19	19	25	30	30	30
Glass	70	80	100	110	125	175	200	250
D (Flanges O.D)	127	152.4	177.8	190.5	228.6	254	279.4	342.9
d	48.3	60.5	73.2	88.9	114.3	141.2	168.4	219.2
k	Dimensions by flange rating							
T1	17.5	19.1	22.3	23.9	23.9	23.9	25.4	28.6
T2	61.9	63.5	69.9	69.9	76.2	88.9	88.9	101.6
Bolts No.	4	4	4	4	8	8	8	8
Bolts Size	1/2	5/8	5/8	5/8	5/8	3/4	3/4	3/4
Bolts Length	---	---	---	---	100	---	---	---

Parts List



Item	Part Name
1.	Body (Flange)
2.	Gasket
3.	Tempered Glass
4.	Cover
5.	Bolt

Ordering Information

SOG	Code	Type
		100
	Code	Body Material
	1	SS304 2 SS316 3 Option
	Code	Size
		(A) 1½" (B) 2" (C) 2½" (D) 3" (E) 4" (F) 5" (G) 6" (H) 8"
	Code	Flange Rating
		(1) 150#RF (2) 300#RF (3) PN10 (4) PN16 (5) Other
	Code	Gasket Material
		(1) PTFE (2) Graphite (3) Sigma 533
SOG		Complete Ordering Code