

FILLED TYPE THERMOMETERS W/MICRO SWITCH

SHE4/SHE4-QS(Ø100) & SHE6/SHE6-QS(Ø150)

Technical Data

Direct Mounting

Liquid, Gas filled available

Dial Size: Ø100, Ø150 available

Material of Case & Cover: 316 stainless steel

Material of Stem: 316 stainless steel

Lens: Glass, Safety glass available

Housing Enclosure: IP66

Range Limit: -200°C to 600°C

Stem Dimensions: Ø6, 8, 10, 12mm available

Stem Length Limit: 65~1000mm, option available

Accuracy: Gauge Indication: ±1% F.S; Switch Acting Differential: ±1.6~3% F.S

Process Connection: ½"NPT standard, other available

Over Range Protection: 130% F.S

Switch Form: One setting point SPDT x 1 or Two setting point SPDT x 2

Set Point: Full scale range available

Switch Data:

	AC Load	DC Load
Nominal Operating Voltage	250 VAC max.	28 VDC max.
Current	5A max.	5A max. (ohmic load) 3A max. (inductive load)
Contact Material	Pure silver 999.9	Pure silver 999.9
Ambient Temperature	-20°C ~ +70°C	-20°C ~ +70°C



SHE-QS
(Every Angle Connection)



SHE
(Bottom Connection)

Approvals:

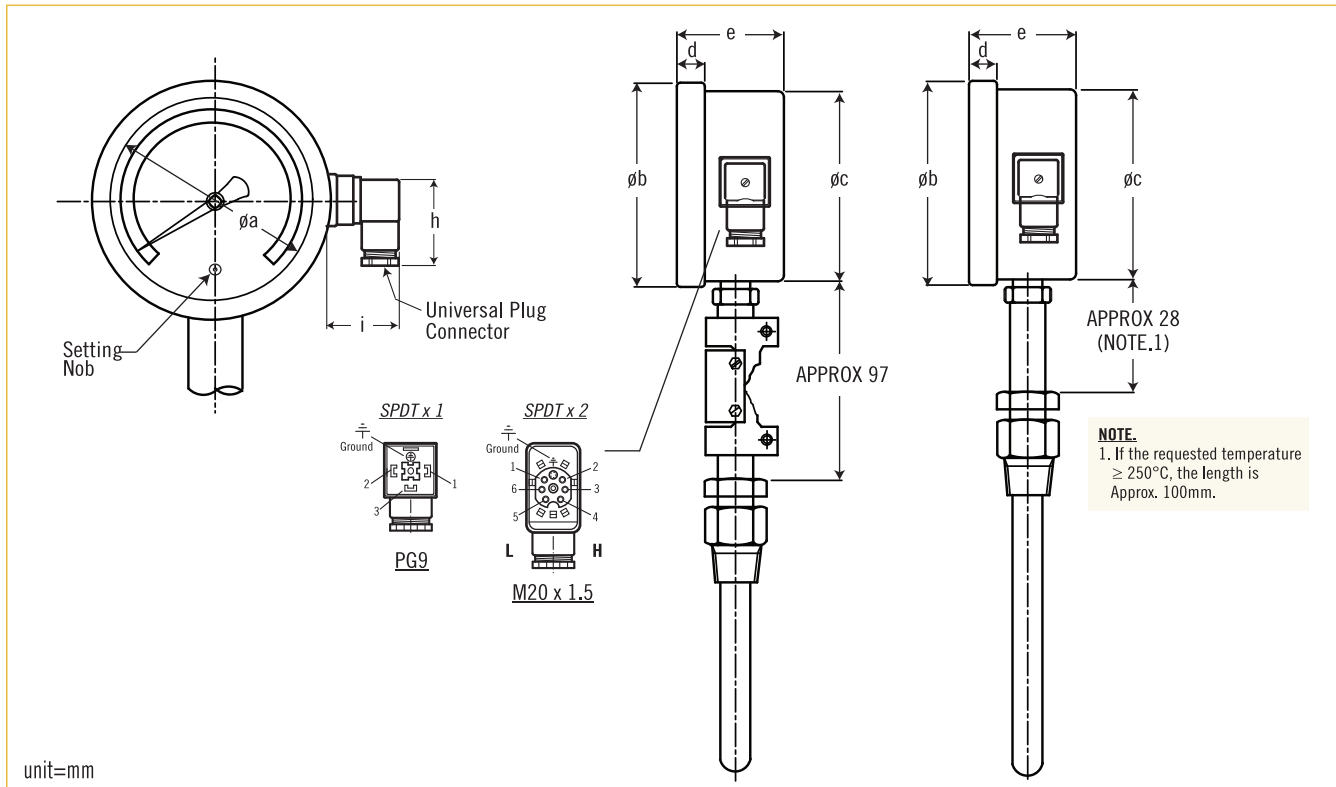


Switches with UL & CSA Recognized and File No. E12252.

Patent No.

M337067

Dimensions

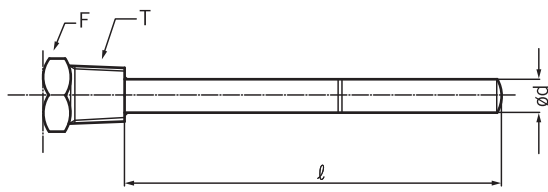


	a	b	c	d	e	Switch Form	h	i
SHE4 SHE4-QS	94	113	102	33	74	SPDT x 1	54	44
SHE6 SHE6-QS	140	165	153	34	73.5	SPDT x 2	72	51

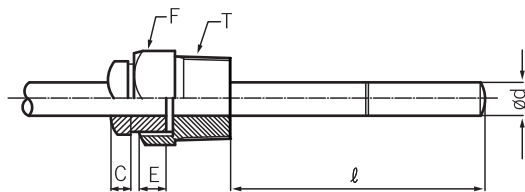
*Sensor bulb and connection, consult to factory .

NOTE
Performance Technical Data are effective with date of issue and are subject to change without prior notice.

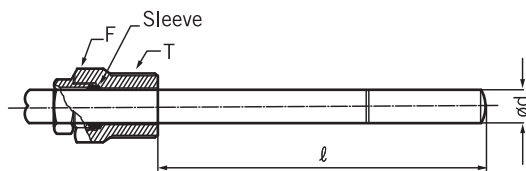
Connection Type



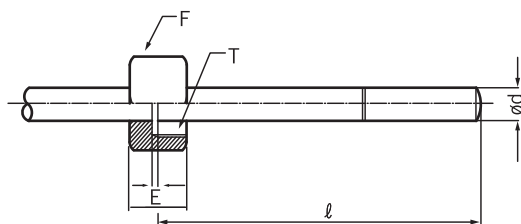
(A) Fixed Thread Type



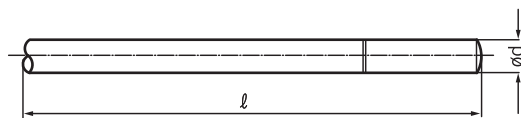
(B) Rotary Thread Type (Male thread)
(The male thread position is immobile, but rotation 360° available.)



(C) Slide Thread Type
(Length "l" changed available.)
(The slide thread can be moved up and down, and the length of sensor can be adjusted by user.)



(D) Rotary Thread Type (Female thread)
(The female thread position is immobile, but rotation 360° available.)



(E) Non Thread Type

T: Process connection
E: Stop plate for (rotary & rotation style)
F: Hexagonal head
l: Sensor length
d: Sensor dimension

Table for Range and Insertion

Liquid Filled Type

Standard Scale Range (°C)	Minor Division (°C)		Minimum Insertion Length (mm)			
			Outer Diameter of Stem			
	ø100	ø150	ø6	ø8	ø10	ø12
-70~+50	2	2	100	70	40	30
-50~+50	1	1	120	80	50	30
-30~+50	1	1	150	100	60	40
-30~+100	2	2	100	70	40	30
-10~+50	1	1	190	130	70	50
-10~+100	2	2	110	80	50	30
0~50	1	1	230	150	80	60
0~60	1	1	190	130	70	50
0~80	1	1	150	100	60	40
0~100	1	1	120	80	50	30
0~120	2	2	100	70	40	30
0~150	2	2	80	60	40	30
0~200	2	2	70	50	30	20
0~250	5	5	60	40	30	20
0~300	5	5	50	40	30	20
0~400	5	5	40	30	20	20

Gas Filled Type

Standard Scale Range (°C)	Minor Division (°C)	
	ø100	ø150
-200~+200	5	5
-100~+300	5	5
-50~+400	5	5
-50~+500	10	10
-50~+600	10	10
0~400	5	5
0~500	10	10
0~600	10	10

Minimum Stem Length

mm	ød	ø10	ø12
Minimum Length		140	90

OPTION.

1. Please note the minimum insertion length is not including the thread.
2. Special Range / Scale / Stem Diameter / Length are available upon request.

Ordering Information

Model	SHE4(∅100)	SHE6(∅150)	SHE4-QS(∅100)	SHE6-QS(∅150)	
Code	Lens Material				
G	Glass	S	Safety Glass		
Code	Connection Type				
A	Fixed Thread Type	C	Slide Thread Type	E	Non Thread Type
B	Rotary Thread Type	D	Female Thread Type	O	Option
Code	Stem Diameter				
	(1) ∅6 (2) ∅8 (3)∅10 (4)∅12				
Code	Stem Length				
	Refer to the Table for Range and Insertion, directly fill in request length(mm)				
Code	Process Connection				
	(A) 3/8" NPT (B) 1/2" NPT (C) 1/4" NPT (D) 3/8"PF (E) 1/2"PF (F)1/4"PF (O) Option				
Code	Scale Range				
	Refer to the Scale Range Table. Fill in the request range.				
Code	Micro Switch				
1	One setting point SPDT x 1	2	Two setting point SPDT x 2		
<div style="border: 1px solid black; display: flex; width: 100%; height: 15px;"></div>					
Complete ordering code					

Ordering information Sample:

Model	Lens Material	Connection Type	Stem Diameter	Stem Length	Process Connection	Scale Range	Micro Switch
SHE4-QS	S	A	∅6	100mm	B	0-100°C	1