

# STERILE FLOW SIGHT GLASS

## SG-SERIES

SG-Series consist of sanitary fitting, polished, Stainless Steel Body and O-Ring Seal are designed for high purity hygienic fluids system. Directly mounted in pipe line with sterile sanitary fittings. To Provide a clear visual which could detect any fluids in line through a transparent glass tube.

### Technical Data

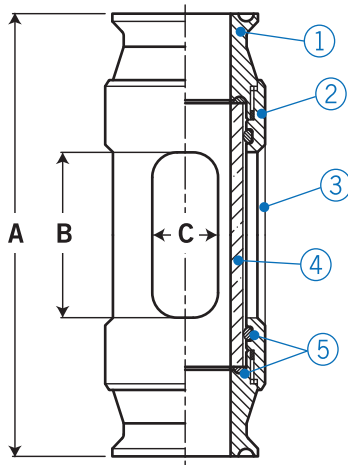
**Material:** Body: Polished SS316 ; Connection: Sanitary Fitting SS316;  
 Glass Tube: Borosilicate Glass ; O-Ring: Viton, Silicone and EPDM available  
 (All gaskets meet USP Class VI, are FDA compliant and are fully traceable)  
**Process Connection:** ISO2852: 3/8", 1/2", 3/4", 1", 1 1/2", 2"; DIN32676: 10, 15, 20, 25, 40, 50  
**Operating Pressure Limited:** Up to 150 psig @ 25°C ; Up to 20 psig @150°C  
**Operating Temperature Limited:** Up to 150°C (300°F)



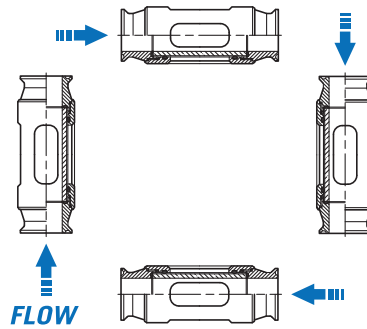
### Approvals:



### Dimensions & Parts List



### Flow Direction



Any flow direction available.

### Dimensions Data-mm

Size	A (±1.0mm)	B (±1.0mm)	C (±1.0mm)	Approx. Weight
3/8"	65	20	9	0.15 kg
1/2"	76	20	9	0.20 kg
3/4"	87	30	11	0.20 kg
1"	91	30	16	0.45 kg
1 1/2"	105	40	24	0.50 kg
2"	120	48	35	0.70 kg

### Parts Name & Material List

Item	Parts Name	Material
1	Sanitary Fitting	SS316
2	Body	SS316
3	Tube Housing	SS316
4	Lens Tube	Borosilicate Glass Tube
5	O-Ring	Viton or Silicone or EPDM

### Ordering Information

SG-Series	Code	Body Material
	S	Polished SS316
		<b>Code</b> <b>O-Ring Material</b>
	V	Viton    S    Silicone    E    EPDM
		<b>Code</b> <b>Lens Tube Material</b>
	S	Borosilicate Glass Tube
		<b>Code</b> <b>Process Connection Type</b>
	ISO	ISO2852    DIN    DIN32676
		<b>Code</b> <b>Process Connection Size</b>
	ISO	(1) 3/8" (2) 1/2" (3) 3/4" (4) 1" (5) 1 1/2" (6) 2"
	DIN	(7) 10 (8) 15 (9) 20 (10) 25 (11) 40 (12) 50
		<b>Code</b> <b>CE Mark Request</b>
	3	Stamp
	4	Without
<b>SG-Series</b>		<b>Complete Ordering Code</b>