

PLASTIC FLOW METER SF400 – Spring Type

– Without alarm switch type



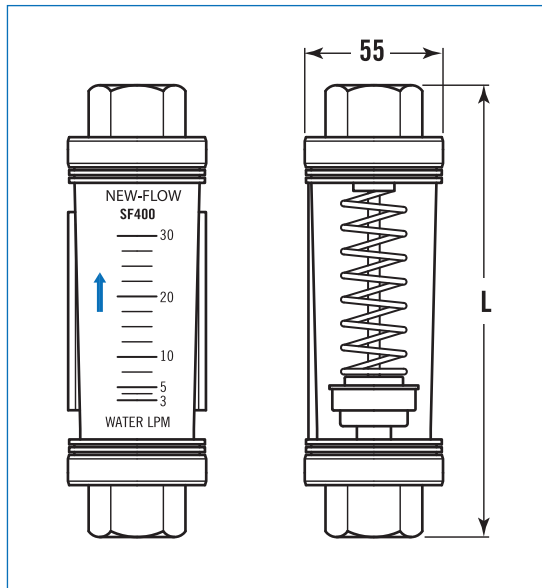
Technical Data

Service: Liquid, Oil
Wetted parts material:
 Body: Polycarbonate (P.C); Polysulfone (PSU) available
 O-ring: Viton
 Float: SS316
 Connection: SS316, PVC, PVDF available
 Spring: SS316
Connection size: 1½", 2" NPT female available
Mounting: Vertical and Horizontal available, various flow directions
Accuracy: ±5% full scale
Max. working pressure limit: 1.2 MPa (12 kg/cm²)
Max. test pressure: 2.0 MPa (20 kg/cm²) (water 25°C)
Max. working temperature limit: -10°C to 60°C (for PC body); -10°C to 110°C (for PSU body)

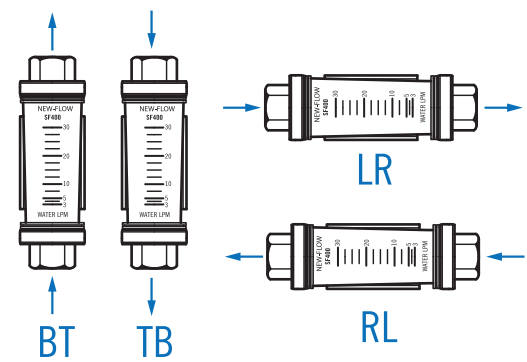
Approvals:



Dimensions-mm



Flow Direction Types



Ordering Information

SF400	Code	Flow Range [Water-LPM (Litter per Minute)]
	A	25~250 LPM (only 1½" available)
	B	50~500 LPM (only 2" available)
	Code	Body Material
	PC	Polycarbonate PSU Polysulfone
	Code	Connection Material
		(1) SS316 (2) PVC (3) PVDF
	Code	Process Connection in Female
		(A) 1½" NPT (L=385mm) (B) 2" NPT (L=415mm)
	Code	Flow Direction
	BT	Bottom to Top TB Top to Bottom RL Right to Left LR Left to Right

SF400								Complete ordering code
-------	--	--	--	--	--	--	--	------------------------