

PLASTIC FLOW METER – Spring Type

SF300 with alarm switch type
without alarm switch type

Approvals:



Technical Data

Service: Liquid, Oil
Wetted Parts Material:
 Body: Polycarbonate (P.C); Polysulfone (PSU) available
 O-Ring: Viton
 Float: magnet cover with PPS plastic, or SS316
 Connection: SS316
 Spring: SS316
Connection Size: 3/8", 1/2", 3/4" NPT female available
Mounting: Vertical and Horizontal available, various flow directions
Max. Working Pressure Limit: 1.2 MPa (12 kg/cm²)
Max. Test Pressure: 2.0 MPa (20 kg/cm²) (water 25°C)
Max. Working Temperature Limit: -10°C to 60°C (for PC body)
 -10°C to 110°C (for PSU body)

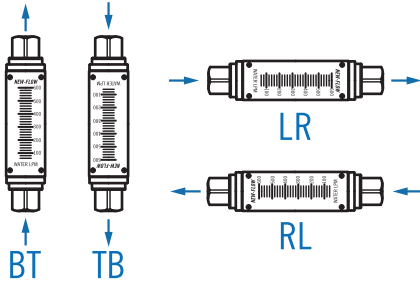
Accuracy: ±5% full scale

Alarm Switch: One or Two setting points, form A N.O. type bistable reed switch

Switch Rating: AC 125V 0.5A / DC 100V 10W / Max. DC 250V<40mA

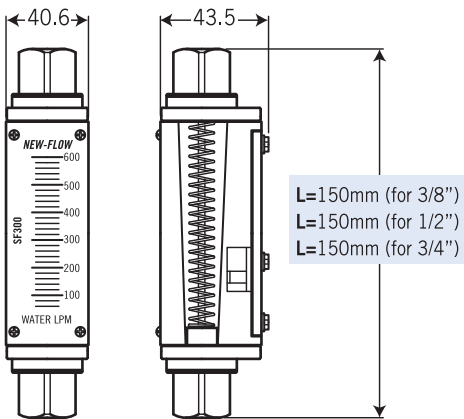
Weight: 0.3~0.4 kg (Contact setting point should be within 10% to 80% of FS)

Flow Direction Type

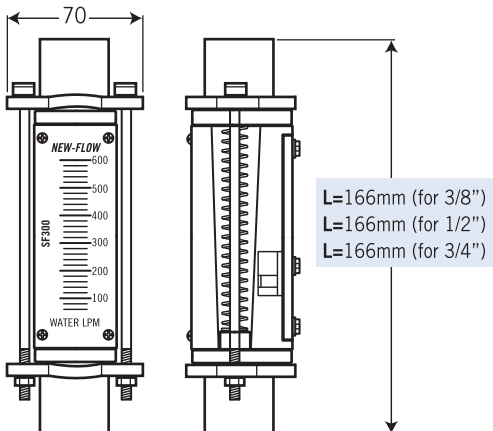


Dimensions-mm

SF-300-G: Original Type



SF-300-F: Fixed Type



Original Type

Fixed Type

如果開關的動作「不是↑ON」，請先與廠商聯繫。
 If the alarm switch is Not ↑ON, please contact with the manufacturer at the first.

Ordering Information

SF300	Code	Type
	G	Original Type
	F	Fixed Type
	Code	Flow Range (Water:LPM-Litter per Minute & GPM-Gallon (us) per Minute)
	A	1~4 LPM
	B	2~10 LPM
	C	2~20 LPM
	D	3~30 LPM
	E	4~40 LPM
	F	5~50 LPM
	G	6~60 LPM
	H	0.2~1 GPM
	I	0.5~2.5 GPM
	J	0.5~5 GPM
	K	0.8~8 GPM
	L	1~10 GPM
	M	1.3~13 GPM
	N	1.5~15 GPM
	Code	Alarm Switch (Standard ↑ON)
	1R	One setting point
	2R	Two setting point
	O	Without alarm
	Code	Body Material
	PC	Polycarbonate
	PSU	Polysulfone
	Code	Connection Material
	1	SS316
	Code	Process Connection (Female)
	A	3/8" NPT
	B	1/2" NPT
	C	3/4" NPT
	Code	Flow Direction
	BT	Bottom to Top
	TB	Top to Bottom
	RL	Right to Left
	LR	Left to Right
SF300		Complete Ordering Code