

PLASTIC RELIEF VALVES

RS SERIES

Technical Data

Back pressure relief valves

Large flow rate

Material: Body-P.V.C, P.P, PVDF; Diaphragm membrane-Viton + Teflon Plate

Inlet pressure: maximum 1.035Mpa (150psi)

Adjustable range: 0.035~0.7Mpa (5~100 psi)

Working temp.: 60°C

Working fluid: Water corrosive liquid

Panel mounting available

Mounting type: Straightened on pipe line



Type	Connection Size (Female)	CV
A	¼"NPT	1.0
B	½"NPT	2.0
C	¾"NPT	2.5
D	1"NPT	3.5
E	1½"NPT	4.5
F	2"NPT	5.5

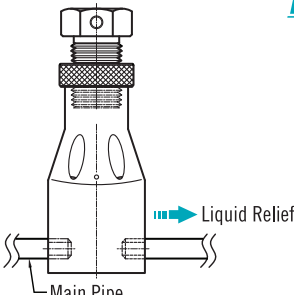
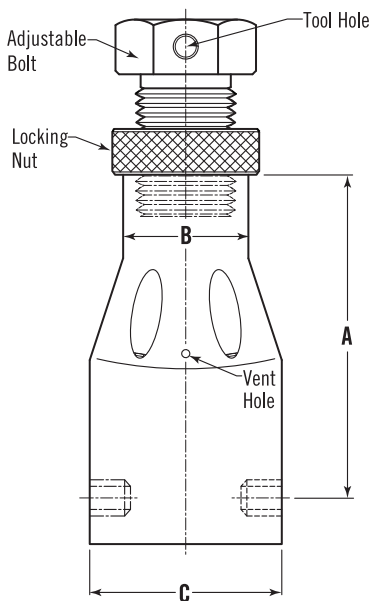
*Option: BSP type available

Range Table

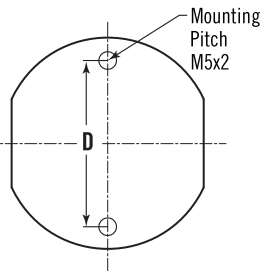
Code	Range
05R	5~50 PSI
50R	50~112 PSI

Dimensions

For ¼" to 1½" (type A~E)

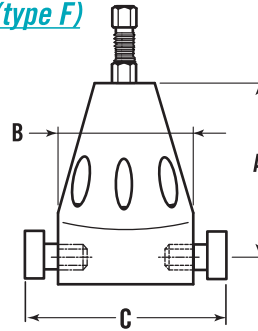


Application Drawing



Bottom Drawing

For 2" (type F)



unit=mm

Type	Size (NPT/BSP)	A	B	C	D
A	¼"	107	33.6	55.0	41.5 M5
B	½"	110	40.5	65.0	41.0 M5
C	¾"	138	47.5	75.5	51.0 M6
D	1"	192	60.4	92.0	51.0 M6
E	1½"	180	83.0	126.5	-
F	2"	226	158.5	280	-

Ordering Information

RS	Code	Connection Size
		(A) ¼"NPT (B) ½"NPT (C) ¾"NPT (D) 1"NPT (E) 1½"NPT (F) 2"NPT (G) Option
	Code	Pressure Range
	05R	5~50 PSI
	50R	50~112 PSI
	Code	Material
		(1) PVC (2) PP (3) PVDF
RS		Complete Ordering Code