

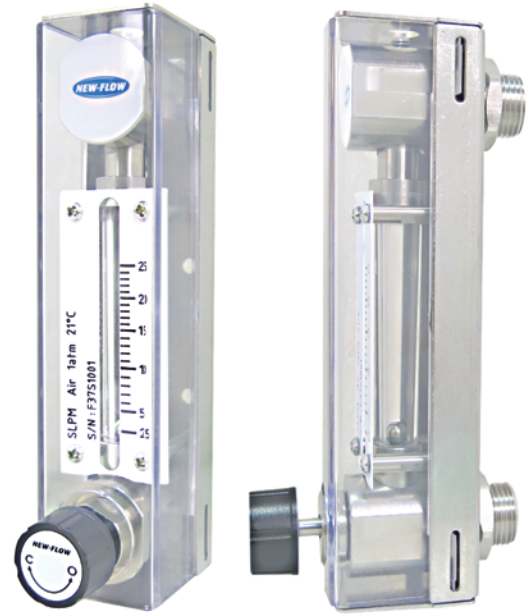
# VARIABLE AREA TYPE FLOW METER [ROTAMETER]

## RM TYPE

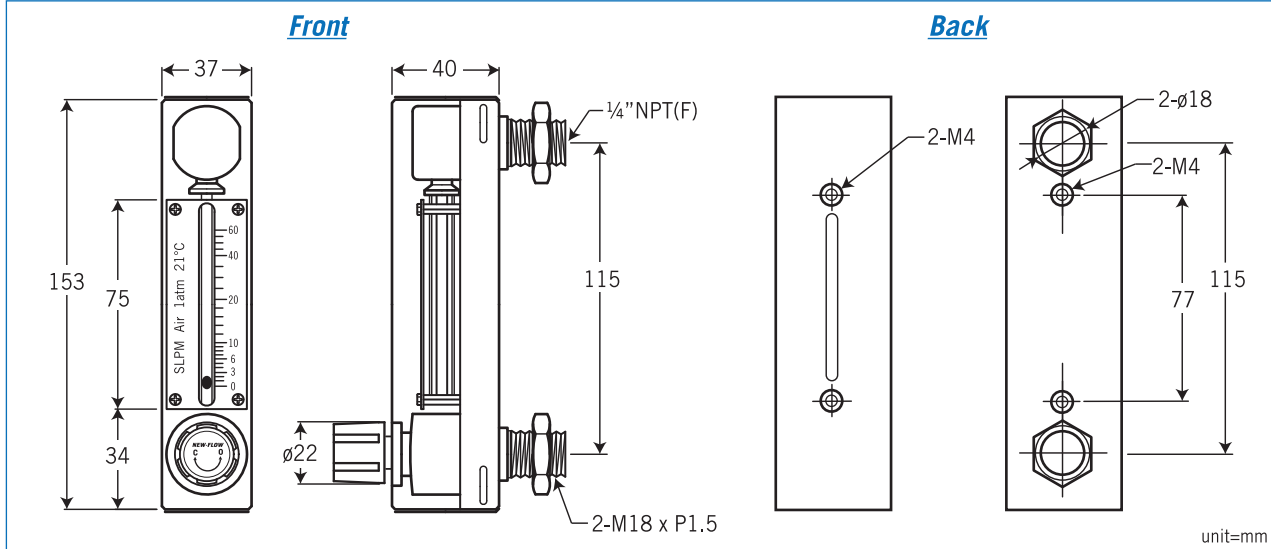
The variable area flow meter content a float & taper tube. The fluid flow through the taper tube and force up to the float. The flow rate is measured as a function of the area of the opening. This area displayed as the float that is free to move to produce the varying area.

### Technical Data

- Service:** Gases (Air) & Liquid (Water)
- Wetted Parts Material:** Body: SS316 ; O-ring: Viton; others on request (FFKM); Metering Tube: Borosilicate Glass ; Needle Valve: SS316
- Float:** SS316, POM Plastic, Glass, Black Glass-POL, TC (Tungsten Carbide), Rubysaph, Tantalum available on request
- Mounting:** Horizontal position (Bottom to Top)
- Connection Size:** 1/4"NPT female; Needle valve available
- Max. Working Temperature:** 95°C
- Max. Working Pressure:** Glass tube- 200psig (14 kg/cm<sup>2</sup>)
- Accuracy:** ±3% F.S; Repeatability 1%
- Weight:** 0.55~0.6 kg



### Dimensions



### Range Table & Ordering Information

Tube No.: GA  
Fluid Type: Air

Item	Flow Range	Float Material	Flow Unit	Ordering Range Code
1	2~20	Black Glass-POL	Ncc/min, Normal cc per Minute	RM-2~20-CCM-Air-BP-GA
2	4~40	RUBYSAPH	Ncc/min, Normal cc per Minute	RM-4~40-CCM-Air-RU-GA
3	6~60	SS316	Ncc/min, Normal cc per Minute	RM-6~60-CCM-Air-SS-GA
4	15~150	TC (Tungsten Carbide)	Ncc/min, Normal cc per Minute	RM-15~150-CCM-Air-TC-GA

Tube No.: GB  
Fluid Type: Air

Item	Flow Range	Float Material	Flow Unit	Ordering Range Code
1	12~120	Black Glass-POL	Ncc/min, Normal cc per Minute	RM-12~120-CCM-Air-BP-GB
2	20~200	RUBYSAPH	Ncc/min, Normal cc per Minute	RM-20~200-CCM-Air-RU-GB
3	40~400	SS316	Ncc/min, Normal cc per Minute	RM-40~400-CCM-Air-SS-GB
4	60~600	TC (Tungsten Carbide)	Ncc/min, Normal cc per Minute	RM-60~600-CCM-Air-TC-GB

Tube No.: GC  
Fluid Type: Air

Item	Flow Range	Float Material	Flow Unit	Ordering Range Code
1	50~500	RUBYSAPH	Ncc/min, Normal cc per Minute	RM-50~500-CCM-Air-RU-GC
2	90~900	SS316	Ncc/min, Normal cc per Minute	RM-90~900-CCM-Air-SS-GC
3	120~1200	TC (Tungsten Carbide)	Ncc/min, Normal cc per Minute	RM-120~1200-CCM-Air-TC-GC

**Tube No.: G0**  
**Fluid Type: Air**

Item	Flow Range	Float Material	Flow Unit	Ordering Range Code
1	70~700	RUBYSAPH	Ncc/min, Normal cc per Minute	RM-70~700-CCM-Air-RU-GD
2	140~1400	SS316	Ncc/min, Normal cc per Minute	RM-140~1400-CCM-Air-SS-GD
3	180~1800	TC (Tungsten Carbide)	Ncc/min, Normal cc per Minute	RM-180~1800-CCM-Air-TC-GD
4	200~2000	Tantalum	Ncc/min, Normal cc per Minute	RM-200~2000-CCM-Air-Tan-GD

**Tube No.: G1**  
**Fluid Type: Air**

Item	Flow Range	Float Material	Flow Unit	Ordering Range Code
1	0.1~1	POM, Plastic	NLPM, Normal Litter per Minute	RM-0.1~1-LM-Air-P-G1
2	0.15~1.5	Glass	NLPM, Normal Litter per Minute	RM-0.15~1.5-LM-Air-G-G1

**Fluid Type: Water (70°F)**

Item	Flow Range	Float Material	Flow Unit	Ordering Range Code
1	0.03~0.3	POM, Plastic	LPH, Litter per Hour	RM-0.03~0.3-LH-Water-P-G1
2	0.15~1.5	Glass	LPH, Litter per Hour	RM-0.15~1.5-LH-Water-G-G1

**Tube No.: G3**  
**Fluid Type: Air**

Item	Flow Range	Float Material	Flow Unit	Ordering Range Code
1	0.25~2.5	Glass	NLPM, Normal Litter per Minute	RM-0.25~2.5-LM-Air-G-G3
2	0.5~5	SS316	NLPM, Normal Litter per Minute	RM-0.5~5-LM-Air-SS-G3

**Fluid Type: Water (70°F)**

Item	Flow Range	Float Material	Flow Unit	Ordering Range Code
1	0.08~0.8	POM, Plastic	LPH, Litter per Hour	RM-0.08~0.8-LH-Water-P-G3
2	0.3~3	Glass	LPH, Litter per Hour	RM-0.3~3-LH-Water-G-G3
3	0.6~6	SS316	LPH, Litter per Hour	RM-0.6~6-LH-Water-SS-G3

**Tube No.: G4**  
**Fluid Type: Air**

Item	Flow Range	Float Material	Flow Unit	Ordering Range Code
1	0.2~2	POM, Plastic	NLPM, Normal Litter per Minute	RM-0.2~2-LM-Air-P-G4
2	0.3~3	Glass	NLPM, Normal Litter per Minute	RM-0.3~3-LM-Air-G-G4
3	0.6~6	SS316	NLPM, Normal Litter per Minute	RM-0.6~6-LM-Air-SS-G4

**Fluid Type: Water (70°F)**

Item	Flow Range	Float Material	Flow Unit	Ordering Range Code
1	0.1~1	POM, Plastic	LPH, Litter per Hour	RM-0.1~1-LH-Water-P-G4
2	0.4~4	Glass	LPH, Litter per Hour	RM-0.4~4-LH-Water-G-G4
3	0.8~8	SS316	LPH, Litter per Hour	RM-0.8~8-LH-Water-SS-G4

**Tube No.: G7**  
**Fluid Type: Air**

Item	Flow Range	Float Material	Flow Unit	Ordering Range Code
1	0.8~8	POM, Plastic	NLPM, Normal Litter per Minute	RM-0.8~8-LM-Air-P-G7
2	1.2~12	Glass	NLPM, Normal Litter per Minute	RM-1.2~12-LM-Air-G-G7
3	2.5~25	SS316	NLPM, Normal Litter per Minute	RM-2.5~25-LM-Air-SS-G7

**Fluid Type: Water (70°F)**

Item	Flow Range	Float Material	Flow Unit	Ordering Range Code
1	1.5~15	Glass	LPH, Litter per Hour	RM-1.5~15-LH-Water-G-G7
2	3~30	SS316	LPH, Litter per Hour	RM-3~30-LH-Water-SS-G7

**NOTE:**

If customer requires the flow scale calibrate on specific operation condition, please contact with the manufacturer.

<p><b>Special Instruction, if any:</b></p> <p>_____</p> <p>_____</p> <p>_____</p>	<p><b>Service Condition:</b></p> <p>Fluid Name: _____</p> <p>Operation Pressure: _____</p> <p>Operation Temperature: _____</p> <p>Density: _____</p> <p>Viscosity: _____</p>
---	--