

EXPLOSION PROOF TYPE HEXAGON SOCKET PLUG

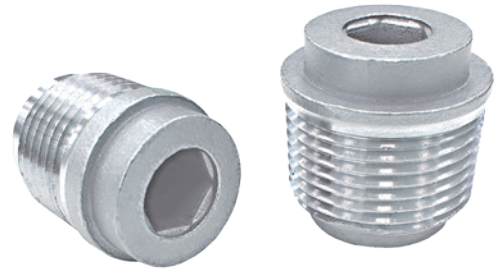
PU SERIES

Explosion Proof : Ex d IIC Gb
Ex tb IIIC Db

Technical Data

Connection Size: Male thread 1/2", 3/4", 1", 1 1/4", 1 1/2", 2" NPT;
and M20 x P1.5 and M25 x P1.5 available

Body Material: SS316L



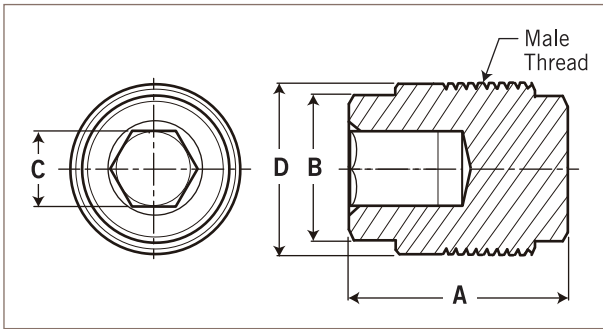
Approvals:



TD0400TJ
(ITRI)2019第07-00007U號

Ordering Information & Dimensions

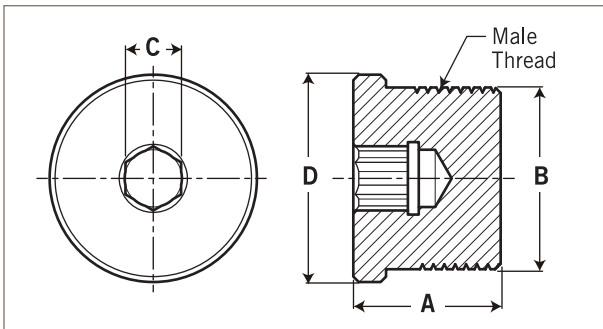
● Imperial : 1/2", 3/4" NPT thread



Ordering Code	Male Thread Connection Size	A	B	C	D
PU-04-NPT	1/2" NPT	25.4	19.5	10.0	22.0
PU-06-NPT	3/4" NPT	27.4	21.0	10.0	27.5

unit=mm

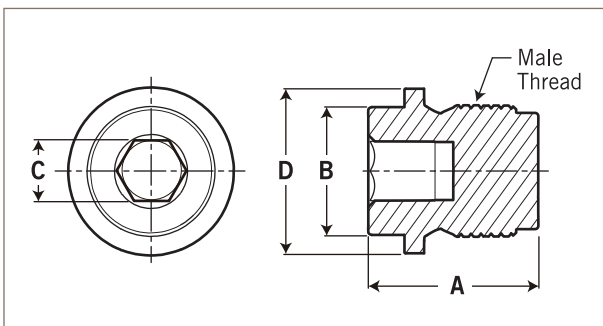
● Imperial : 1", 1 1/4", 1 1/2", 2" NPT thread



Ordering Code	Male Thread Connection Size	A	B	C	D
PU-25-NPT	1" NPT	27.0	33.3	10.2	38.0
PU-32-NPT	1 1/4" NPT	27.0	42.3	12.0	48.0
PU-40-NPT	1 1/2" NPT	27.0	48.0	12.0	54.8
PU-50-NPT	2" NPT	29.0	60.2	12.0	64.9

unit=mm

● Metric : ISO thread



Ordering Code	Male Thread Connection Size	A	B	C	D
PU-04-M20	M20 x P1.5	25.4	19.0	10.0	22.0
PU-06-M25	M25 x P1.5	27.4	21.3	10.0	27.5

unit=mm