

PT3100

PRESSURE TRANSMITTER

PT3100

Accuracy: ±0.5% FS
Protection Class: IP65
Range: -1/0 bar to 0/350 bar available
Thread and Clamp type available
EMC Protection

PT3100 is suitable for the media of fluid and gas. Several measure ranges are available for a variety of automotive, industrial and commercial applications.

Technical Data

Accuracy: ±0.5% of full scale
 (±1.5% of full scale for -1~0 bar to 0~2.5 bar only)
Range: Please refer to the Measure Range Table
Power Supply: 11 to 30 volts DC
Output Signal: 4~20mA, 2-wires
EMC Compatibility: 80MHz ~ 1GHz
Operating Temperature: -10°C to +80°C
Conduit Connection: M12 & Mini DIN43650 Connectors, plastic
Material of Wetted Parts: SS316 or SS304L available
Process Connection: Thread ¼"NPT, ¼"PT and G¼" Male;
 Clamp 1" (ISO2852) / 25(DIN32676) and 1½" (ISO2852) / 32 (DIN32676) available

Range Table

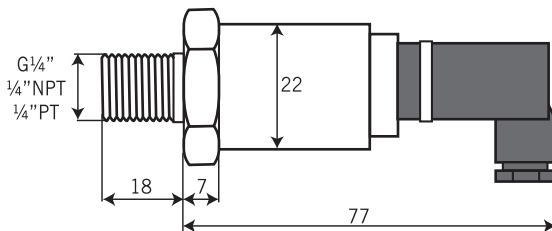
Code	Range	Process		Code	Range	Process		Code	Range	Process	
		Thread	Clamp			Thread	Clamp			Thread	Clamp
0V	-1/0 bar	✓	✓	0.2	0/0.2 bar	✓		10	0/10 bar	✓	✓
2.5V	-1/2.5 bar	✓	✓	0.6	0/0.6 bar	✓		16	0/16 bar	✓	✓
4.0V	-1/4 bar	✓	✓	1	0/1 bar	✓	✓	25	0/25 bar	✓	✓
6.0V	-1/6 bar	✓	✓	1.6	0/1.6 bar	✓	✓	40	0/40bar	✓	
10V	-1/10 bar	✓	✓	2.5	0/2.5 bar	✓	✓	60	0/60 bar	✓	
16V	-1/16 bar	✓	✓	4	0/4 bar	✓	✓	100	0/100 bar	✓	
25V	-1/25 bar	✓	✓	6	0/6 bar	✓	✓	160	0/160 bar	✓	
Code	Range	Process		Code	Range	Process		Code	Range	Process	
		Thread	Clamp			Thread	Clamp			Thread	Clamp
250	0/250 bar	✓		P5	0/5 psi	✓	✓	P1000	0/1000psi	✓	
350	0/350 bar	✓		P15	0/15 psi	✓	✓	P2000	0/2000psi	✓	
				P50	0/50 psi	✓	✓	P3000	0/3000psi	✓	
				P100	0/100 psi	✓	✓	P5000	0/5000psi	✓	
				P500	0/500 psi	✓	✓				

Over Range Protection:
 1. Proof pressure range are 3 times of full scale.
 2. Burst pressure range are 10 times of full scale.
 3. Response time: ≤1ms

Dimensions-mm

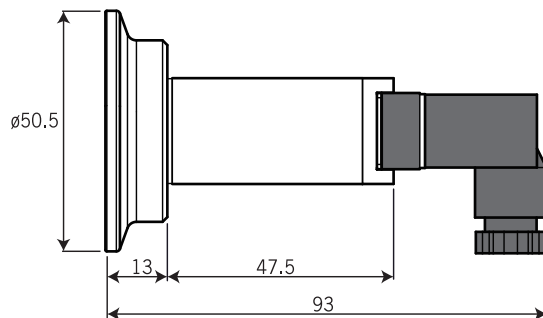
Thread Type

Process Connection:
 Male thread:
 G¼"
 ¼"NPT, standard
 ¼"PT, standard



Clamp Type

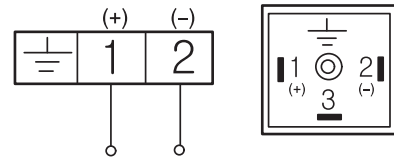
Process Connection:
 ISO2852: 1" and 1½"
 DIN32676: 25 and 32
Membrane Size:
 ø50.5mm



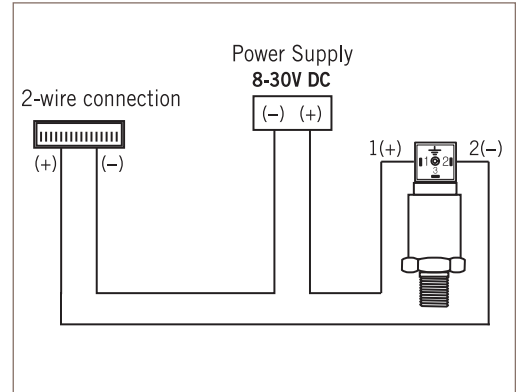
Approvals:



Connection Diagram



Connection



Ordering Information

PT3100	Code	Pressure Range
		Please refer to the Measure Range Table.
		Code Wetted Parts Material
	1	SS316 (thread & clamp type available)
	2	SS304L (for thread type only)
		Code Connection Port
	A	Thread G¼"(M)
	U	Thread ¼"NPT(M), standard
	P	Thread ¼"PT(M), standard
	C	Clamp (ø50.5mm)
	S	Customized
PT3100		Complete Ordering Code

NOTE.
 Performance Technical Data are effective with date of issue and are subject to change without prior notice.