

PSA2200X

PRESSURE SWITCH FOR LIQUID LEVEL CONTROLLER EXPLOSION PROOF

PSA2200X

The New-Flow PSA2200X, an explosion proof pressure switch for liquid level controller, is designed to be used in level systems. PSA2200X has high set point repeatability and adjustable dead band features. Easily adjusted to the set point, no special tools needed!

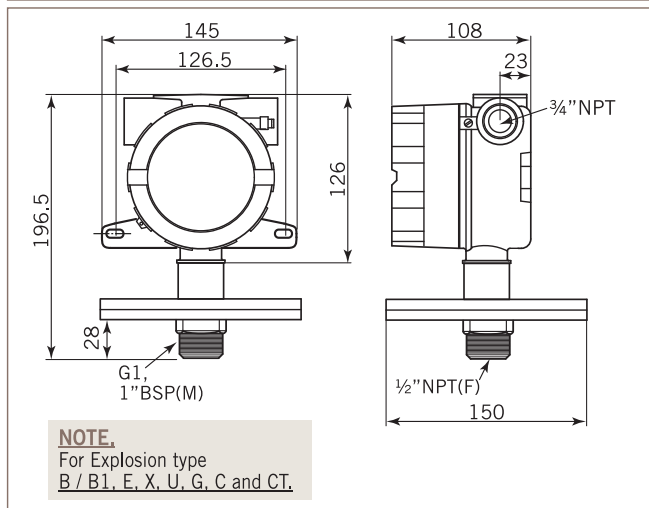
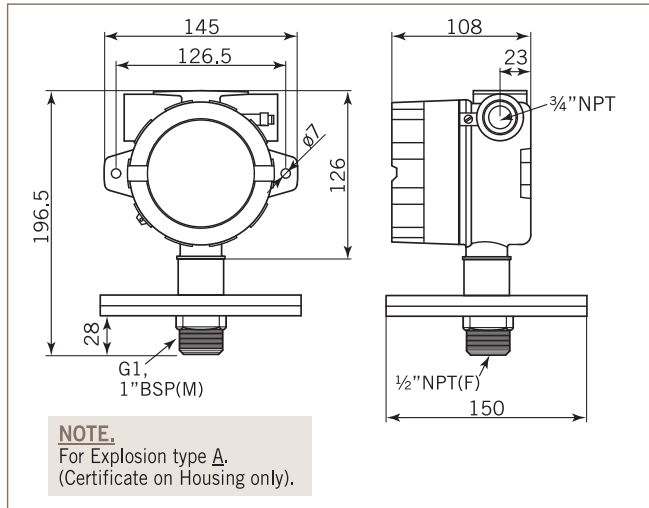
Technical Data

- Switch Data:** one SPDT microswitch, 20Amps 125/250VAC; 5Amps DC125V
- Housing:** die cast aluminum alloy with paint, and SS316 available
- Housing Enclosure:** Explosion Proof Type; IP68 (not UL certified)
- Conduit Connection:** Female 3/4", 1/2" NPT, M20 x P1.5 available
- Pressure Element:** Diaphragm type
- Proof Pressure:** 500 psi
- Temperature:** -30 to 205°C

[When the operating temperature exceeds 120°C, a cooling element (New-Flow's CF or CT series) must be installed!]

- Process Materials:** wetted parts are all in SS316/SS316L
- Process Connection:** Male G1 (1" BSP); and Female or Male 1/2", 1/4" NPT, BSP, PT, and M20xP1.5 thread available (Detected pipe size 1/2", Length 0.2~5 meters)
- Control Functions:** Please refer to the "Level Length Table". Select type: Nob A, B, C, E, F are available for setting level length. Fix type: Section G, H, I are available for setting level length.

Dimensions-mm



Approvals:



TD0400TJ
工電(2012)第00320號
(ITR1)2017第07-00075號

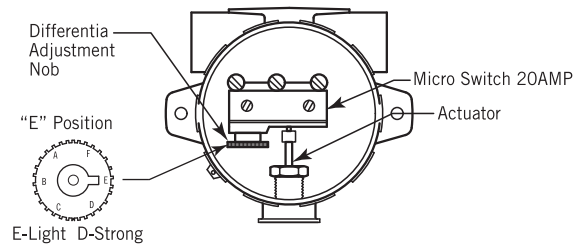


Switches with UL & CSA Recognized and File No. E12252.

Patent No.

M295332
M334932
China: 920135

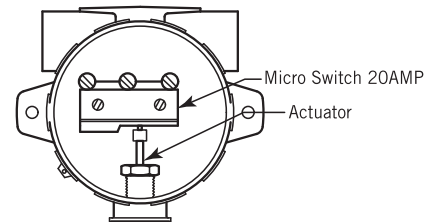
Control Functions Level Length Table For Actuate & Deactuate



(A). Select Type

Set On Micro Switch Nob Code	The Length of Set Point to Actuate, Deactuate (mm)		Dead Band
	Actuate (ON)	Deactuate (OFF)	
E	150	50	±5
F	200	50	±5
A	380	50	±5
B	550	50	±5
C	760	60	±5

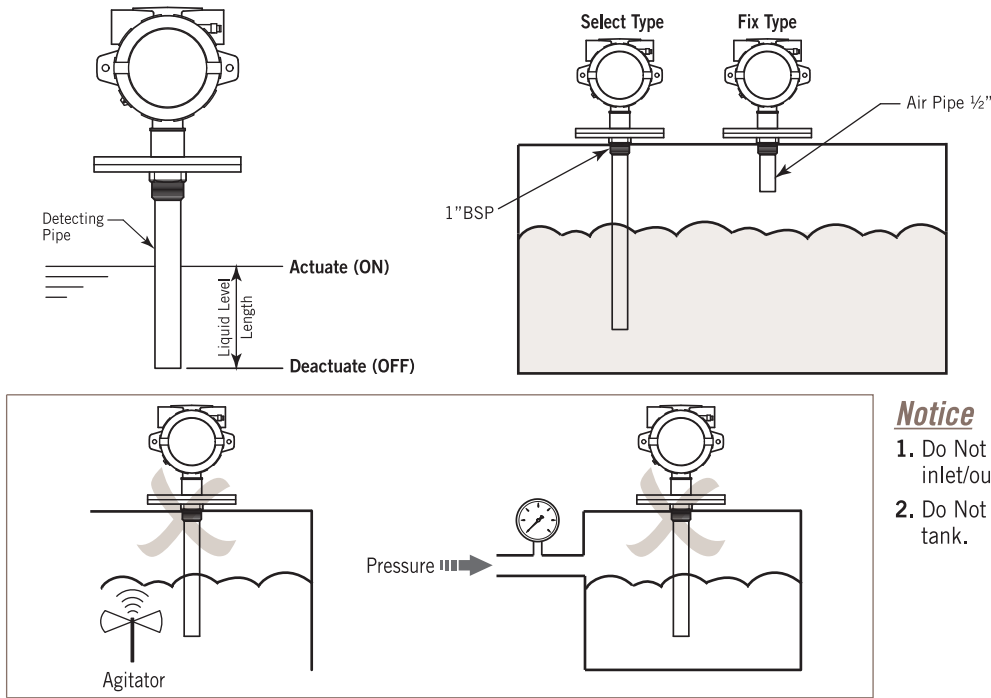
NOTE.: Nob "D" is unavailable for using.



(B). Fix Type

Set Section Code	The Length of Set Point to Actuate, Deactuate (mm)		Dead Band
	Actuate (ON)	Deactuate (OFF)	
G	60	40	±5
H	80	50	±5
I	130	80	±5

Mounting Method



Notice

1. Do Not locate closed by agitator or liquid inlet/outlet. The operation will be unstable.
2. Do Not install this switch on the pressurized tank.

Ordering Information

PSA2200X	Code	Control Function	
	A	Select Type	B Fix Type
		Code	Level Length
		Please refer to the Level Length Table, and directly fill in request range code. (e.g. H)	
		Code	Wetted Parts Material
	A	SS316 / SS316L	
		Code	Process Connection
		*Process connection as below is for Explosion proof code A, B/B1, E, X, U, G : (1) male G1 (1" BSP) (2) 1/2" NPT(F) (3) 1/4" NPT(F) (4) 1/2" BSP(F) (5) 1/4" BSP(F) (6) 1/2" PT(F) (7) 1/4" PT(F) (8) M20 x P1.5(F)	
		*Process connection as below is for Explosion proof code C, CT : (1) 1/2" NPT(M) (2) 1/4" NPT(M) (3) 1/2" BSP(M) (4) 1/4" BSP(M) (5) 1/2" PT(M) (6) 1/4" PT(M) (7) M20 x P1.5(M) (8) male G1 (1" BSP) (9) 1/2" NPT(F) (10) 1/4" NPT(F) (11) 1/2" BSP(F) (12) 1/4" BSP(F) (13) 1/2" PT(F) (14) 1/4" PT(F) (15) M20 x P1.5(F)	
		Code	Conduit Connection
		(E) 3/4" NPT Female (F) 1/2" NPT Female, standard (G) M20 x P1.5 Female	
		Code	Switch Form
		1	Micro Switch, 1 SPDT
		Code	Explosion Proof Type / Housing Material
		A	Certificate on Housing Only (FM Approval) / Aluminum alloy: Class I, Groups A, B, C & D; Class II, Groups E, F & G; Class III; NEMA 4X
		B / B1	Taiwan Explosion Proof Certification/(B) Aluminum alloy (B1) SS316: Ex d IIB + H2 T6 Gb
		E	International IECEx Certification / Aluminum alloy: Ex db IIB + H2 T6 Gb; Ex tb IIIC T85°C Db
		X	Europe Union ATEX Certification / Aluminum alloy: II 2 G D Ex db IIB + H2 T6 Gb Ex tb IIIC T85°C Db
		U	UL Certification / Aluminum alloy: Class I, Division 1, Groups A, B, C & D; Class II, Division 1, Groups E, F & G
		G	China Explosion Proof Certification / Aluminum alloy: Ex d IIB + H2 T6 Gb; Ex tD A21 IP6X T85°C
		C	International IECEx Certification & Europe Union ATEX Certification / Aluminum alloy: IECEx & ATEX (Ex) II 2 G D) Certificate Ex db IIC T6...T5 Gb T6 (-20°C ≤ Ta ≤ +55°C) T5 (-20°C ≤ Ta ≤ +60°C) Ex tb IIIC T80°C...T88°C Db T80°C (-20°C ≤ Ta ≤ +55°C) T88°C (-20°C ≤ Ta ≤ +60°C)
		CT	Taiwan Explosion Proof Certification / Aluminum alloy Ex db IIC T6...T5 Gb T6 (-20°C ≤ Ta ≤ +55°C) T5 (-20°C ≤ Ta ≤ +60°C) Ex tb IIIC T80°C...T88°C Db T80°C (-20°C ≤ Ta ≤ +55°C) T88°C (-20°C ≤ Ta ≤ +60°C)
PSA2200X			
Complete Ordering Code			