

Approvals:



TD0400TJ
工電(2012)第00320號
(ITRI)2017第07-00075號



Patent No
M295332
M334932
China: 920135

PRESSURE SWITCH EXPLOSION PROOF TYPE PSA2100X

Explosion Proof Type / Protection: IP68
Proof Pressure to 1000psi
Adjustable Ranges: 10~1300psi / Dead Band: Adjustable
Temperature: -30 to 205°C

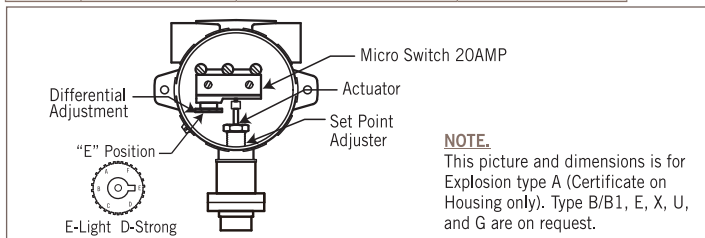
The New-Flow PSA2100X, an explosion proof pressure switch, is designed to be used in control systems. PSA2100X has high set point repeatability and adjustable dead band features. There are a variety of range selections available upon request. Easily adjusted to the set point, no special tools needed!

Technical Data

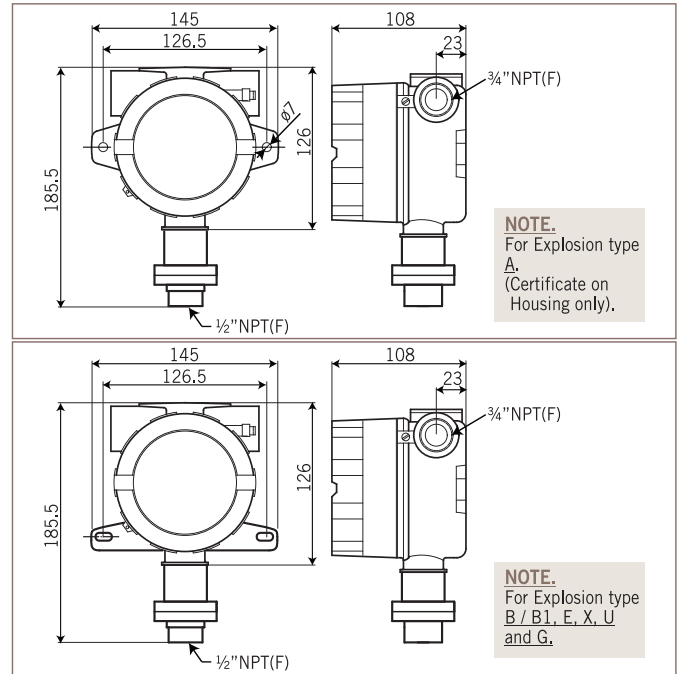
Switch Data: 20Amp @125, 250 or 480VAC; 5Amp, DC125V
Housing: die cast aluminum alloy with paint, and SS316 available
Conduit Connection: Female 3/4", 1/2" NPT, and M20 x P1.5 available
Pressure Element: welded type diaphragm
Process Material: wetted parts are all in SS316
Process Conn.: Female 1/2" or 1/4" NPT, BSP, PT; and M20xP1.5 thread available

Range Selection Table

Code	Pressure Range	Adjustable Dead Band at "E" Position	Maximum Pressure Proof
04R	2~12 psi	1.2~3	1000 psi
10R	2~16 psi	1.6~4	1000 psi
20R	2~20 psi	2~5	1000 psi
30R	3~28 psi	2.8~7	1000 psi
40R	7~100 psi	9.9~28.4	1000 psi



Dimensions-mm



Ordering Information

PSA2100X	Code	Range	Code	Range	Code	Range	Code	Range	Code	Range
		04R 2~12 psi	10R 2~16 psi	20R 2~20 psi	30R 3~28 psi	40R 7~100 psi				
	Code	Wetted Parts Material								
	A	SS316								
	Code	Process Connection- Female								
		(1) 1/2" NPT (2) 1/4" NPT (3) 1/2" BSP (4) 1/4" BSP (5) 1/2" PT (6) 1/4" PT (7) M20 x P1.5								
	Code	Conduit Connection								
		(E) 3/4" NPT Female (F) 1/2" NPT Female, standard (G) M20 x P1.5 Female								
	Code	Switch Form								
	1	One SPDT								
	Code	Explosion Proof Type / Housing Material								
	A	Certificate on Housing Only (FM Approval) / Aluminum alloy: Class I, Groups A, B, C & D; Class II, Groups E, F & G; Class III; NEMA 4X								
	B / B1	Taiwan Explosion Proof Certification / (B) Aluminum alloy (B1) SS316: Ex d IIB + H2 T6 Gb								
	E	International IECEx Certification / Aluminum alloy: Ex db IIB + H2 T6 Gb; Ex tb IIIC T85°C Db								
	X	Europe Union ATEX Certification / Aluminum alloy: II 2 G D Ex db IIB + H2 T6 Gb Ex tb IIIC T85°C Db								
	U	UL Certification / Aluminum alloy: Class I, Division 1, Groups A, B, C & D; Class II, Division 1, Groups E, F & G								
	G	China Explosion Proof Certification / Aluminum alloy: Ex d IIB + H2 T6 Gb; Ex td A21 IP6X T85°C								
PSA2100X										

Complete Ordering Code