

Approvals:



TD0400TJ
工電(2012)第00320號
(TRI)2017第07-00075號



GYB19.1794X



Switches with UL & CSA
Recognized and File No.
E12252.

Patent No.

M295332
M334932
China: 920135



PSA2000X

PRESSURE SWITCH EXPLOSION PROOF TYPE PSA2000X

Explosion Proof Type / Protection: IP68

Proof Pressure to 3000psi

Adjustable Ranges: 10~1300psi / Dead Band: Adjustable

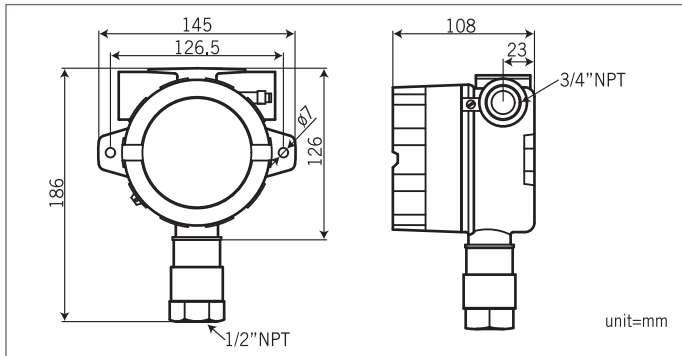
Temperature: -30 to 205°C

The New-Flow PSA2000X, an explosion proof pressure switch, is designed to be used in control systems. PSA2000X has high set point repeatability and adjustable dead band features. There are a variety of range selections available upon request. Easily adjusted to the set point, no special tools needed!

Technical Data

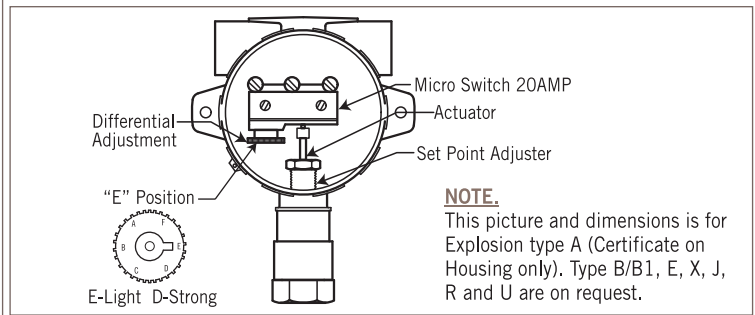
Switch Data: 20Amp @125, 250 or 480VAC; 5Amp, DC125V
Housing: die cast aluminum alloy with paint, and SS316 available
Conduit Connection: Female 3/4", 1/2" NPT, and M20 x P1.5 available
Pressure Element: welded type diaphragm
Process Material: wetted parts are all in SS316
Process Connection: Female 1/2" or 1/4" NPT, BSP, PT; and M20xP1.5 thread available

Dimensions



Range Selection Table

Code	Pressure Range	Adjustable Dead Band at "E" Position	Maximum Pressure Proof
10R	10~100 psi	10~25	3000 psi
20R	35~200 psi	12~30	3000 psi
30R	50~300 psi	28~50	3000 psi
60R	100~600 psi	28~60	3000 psi
130R	200~1300 psi	42~100	3000 psi



Ordering Information

PSA2000X	Code	Range							
		10R	10~100 psi	20R	35~200 psi	30R	50~300 psi	60R	100~600 psi
		130R	200~1300 psi						
	Code	Wetted Parts Material							
	A	SS316							
	Code	Process Connection- Female							
		(1) 1/2" NPT (2) 1/4" NPT (3) 1/2" BSP (4) 1/4" BSP (5) 1/2" PT (6) 1/4" PT (7) M20 x P1.5							
	Code	Conduit Connection							
		(E) 3/4" NPT Female (F) 1/2" NPT Female, standard (G) M20 x P1.5 Female							
	Code	Switch Form							
	1	One SPDT							
	Code	Explosion Proof Type / Housing Material							
	A	<i>Certificate on Housing Only (FM Approval) / Aluminum alloy:</i> Class I, Groups A, B, C & D; Class II, Groups E, F & G; Class III; NEMA 4X							
	B / B1	<i>Taiwan Explosion Proof Certification / (B) Aluminum alloy (B1) SS316:</i> Ex d IIB + H2 T6 Gb							
	E	<i>International IECEx Certification / Aluminum alloy:</i> Ex db IIB + H2 T6 Gb; Ex tb IIIC T85°C Db							
	X	<i>Europe Union ATEX Certification / Aluminum alloy:</i> II 2 G D Ex db IIB + H2 T6 Gb; II 2 G D Ex tb IIIC T85°C Db							
	U	<i>UL Certification / Aluminum alloy:</i> Class I, Division 1, Groups A, B, C & D; Class II, Division 1, Groups E, F & G							
	G	<i>China Explosion Proof Certification / Aluminum alloy:</i> Ex d IIB + H2 T6 Gb; Ex td A21 IP6X T85°C							

PSA2000X [] [] [] [] [] [] [] [] [] [] Complete Ordering Code

WWW.NEW-FLOW.COM • TEL: 866-7-8135500 • FAX: 866-7-8225588 • Email: info@new-flow.com

PRESSURE

26Feb2020

373