

# PRESSURE SWITCH

## IP66

### PSA2000W

**Proof Pressure to 3000psi**  
**Adjustable Ranges: 10~1300psi**  
**Temperature: -30 to 205°C**  
**Dead Band: Adjustable**

The New-Flow PSA2000W, a water proof pressure switch, is designed to be used in control systems. PSA2000W has high set point repeatability and adjustable dead band features. There are a variety of range selections available upon request. Easily adjusted to the set point, no special tools needed!

### Technical Data

**Switch Data:** 20Amp @125, 250 or 480VAC; 5Amp, DC125V  
**Housing:** die cast aluminum alloy with paint  
**Conduit Connection:** Female 3/4", 1/2" NPT, M20 x P1.5 available  
**Pressure Element:** welded type diaphragm  
**Process Material:** wetted parts are all in SS316  
**Process Connection:** Female 1/2" or 1/4" NPT, BSP, PT; and M20xP1.5 thread available

### Range Selection Table

Code	Pressure Range	Adjustable Dead Band at "E" Position	Maximum Pressure Proof
10R	10~100 psi	10~25	3000 psi
20R	35~200 psi	12~30	3000 psi
30R	50~300 psi	28~50	3000 psi
60R	100~600 psi	28~60	3000 psi
130R	200~1300 psi	42~100	3000 psi



### Approvals:

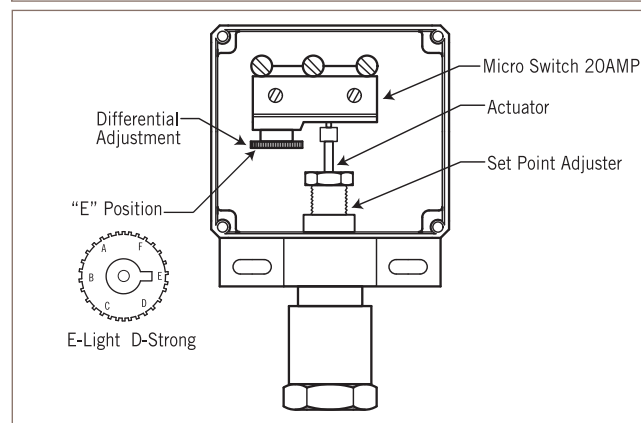
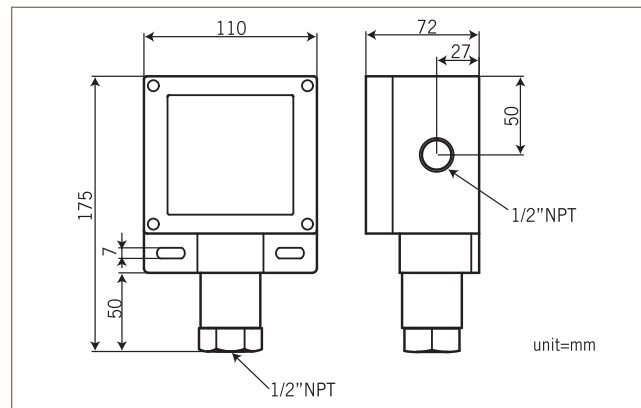


### Patent No.

M295332  
M334932  
China: 920135

Switches with UL & CSA Recognized and File No. E12252.

### Dimensions



### Ordering Information

PSA2000W	Code	Range							
		<b>10R</b>	10~100 psi	<b>20R</b>	35~200 psi	<b>30R</b>	50~300 psi	<b>60R</b>	100~600 psi
		<b>130R</b>	200~1300 psi						
	<b>Code</b>	<b>Wetted Parts Material</b>							
	<b>A</b>	SS316							
	<b>Code</b>	<b>Process Connection- Female</b>							
		(1) 1/2" NPT (2) 1/4" NPT (3) 1/2" BSP (4) 1/4" BSP (5) 1/2" PT (6) 1/4" PT (7) M20 x P1.5							
	<b>Code</b>	<b>Conduit Connection</b>							
		(E) 3/4" NPT Female (F) 1/2" NPT Female, standard (G) M20 x P1.5 Female							
	<b>Code</b>	<b>Switch Form</b>							
	<b>1</b>	One SPDT							
<b>PSA2000W</b>									<b>Complete Ordering Code</b>