

# PRESSURE SWITCH EXPLOSION PROOF TYPE

## PS2100X

**Explosion Proof Type**  
**Protection: IP68**  
**Proof Pressure to 1000psi**  
**Adjustable Ranges: 2~100psi**  
**Temperature: -30 to 205°C**

The New-Flow PS2100X, an explosion proof pressure switch, is designed to be used in control systems. PS2100X has high set point repeatability and narrow dead band features. A variety of range selections are available upon request. Easily adjusted to the set point, and no special tools needed!

### Technical Data

**Switch Data:** one SPDT & two SPDT Microswitch, 15amps 125/250VAC, DC 125V 0.4A, DC 30V 3A, / Gold Contact Microswitch 1A 125/250VAC, / Hermetically Sealed Switch 5A/250VAC

**Housing:** die cast aluminum alloy with paint, and SS316 available

**Conduit Connection:** Female 3/4", 1/2"NPT, M20 x P1.5 available

**Pressure Element:** welded type diaphragm

**Process Material:** wetted parts are all in SS316

**Process Connection:** Female 1/2" or 3/4" NPT, BSP, PT; and M20xP1.5 thread available

**Repeatability:** ±1% of full scale

### Range Selection Table

Code	Adjustable Range	Dead Band	Maximum Pressure Proof
04R	2~12 psi	0.2~0.4	1000 psi
10R	2~16 psi	0.2~0.5	1000 psi
20R	2~20 psi	0.3~0.6	1000 psi
30R	3~28 psi	0.3~0.8	1000 psi
40R	7~100 psi	0.7~2.0	1000 psi

### Approvals:

**ABS**  
TYPE APPROVED PRODUCT

**TD0400TJ**  
工電(2012)第00320號  
(ITR1)2017第07-00075號

**IEC** **IECEx** **Ex II2GD** **CE 2503**

**UL US LISTED** **Ex NEPSA GYB19.1794X**

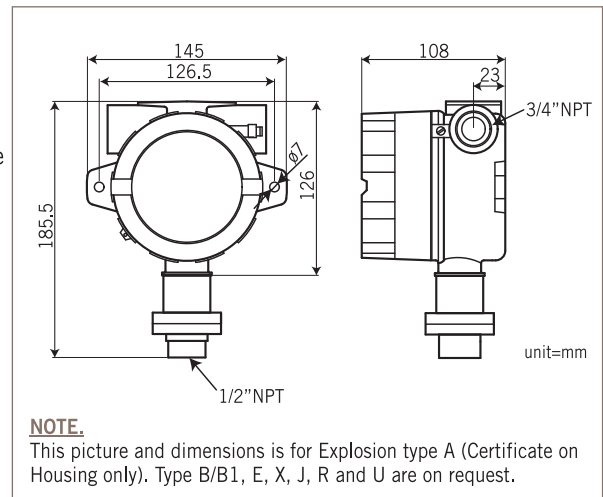
Switches with UL & CSA Recognized and File No. E12252.



### Patent No.

M295332  
M334932  
China: 920135

### Dimension



### Ordering Information

PS2100X	Code	Range
		(04R) 2~12 psi (10R) 2~16 psi (20R) 2~20 psi (30R) 3~28 psi (40R) 7~100 psi
	<b>Code</b>	<b>Wetted Parts Material</b>
	A	SS316
	<b>Code</b>	<b>Process Connection- Female</b>
		(1) 1/2"NPT (2) 3/4"NPT (3) 1/2"BSP (4) 1/4"BSP (5) 1/2"PT (6) 1/4"PT (7) M20 x P1.5
	<b>Code</b>	<b>Conduit Connection</b>
		(E) 3/4"NPT Female, standard (F) 1/2"NPT Female (G) M20 x P1.5 Female
	<b>Code</b>	<b>Switch Form</b>
	1	Micro Switch, 1 SPDT
	2	Micro Switch, 2 SPDT (one setting point)
	3a	Gold Contact, 1 SPDT
	3b	Gold Contact, 2 SPDT (one setting point)
	4a	Hermetically Switch, 1 SPDT
	4b	Hermetically Switch, 2 SPDT (one setting point)
	<b>Code</b>	<b>Explosion Proof Type / Housing Material</b>
	A	Certificate on Housing Only (FM Approval) / Aluminum alloy: Class I, Groups A, B, C & D; Class II, Groups E, F & G; Class III; NEMA 4X
	B / B1	Taiwan Explosion Proof Certification / (B) Aluminum alloy (B1) SS316: Ex d IIB + H2 T6 Gb
	E	International IECEx Certification / Aluminum alloy: Ex db IIB + H2 T6 Gb; Ex tb IIIC T85°C Db
	X	Europe Union ATEX Certification / Aluminum alloy: II 2 G D Ex db IIB + H2 T6 Gb; II 2 G D Ex tb IIIC T85°C Db
	U	UL Certification / Aluminum alloy: Class I, Division 1, Groups A, B, C & D; Class II, Division 1, Groups E, F & G
	G	China Explosion Proof Certification / Aluminum alloy: Ex d IIB + H2 T6 Gb; Ex tD A21 IP6X T85°C
PS2100X		

**Complete Ordering Code**