

PS2100W

PRESSURE SWITCH IP66

PS2100W

Proof Pressure to 1000psi
Adjustable Ranges: 2~100psi
Temperature: -30 to 205°C

[When the operating temperature exceeds 120°C, a cooling element (New-Flow's CF or CT series) must be installed!]

The New-Flow PS2100W, a water proof pressure switch, is designed to be used in control systems. PS2100W has high set point repeatability and narrow dead band features. A variety of range selections are available upon request. Easily adjusted to the set point, and no special tools needed!

Technical Data

- Switch Data:** one SPDT & two SPDT Microswitch, 15amps 125/250VAC, DC 125V 0.4A, DC 30V 3A / Gold Contact Microswitch 1A 125/250VAC
- Housing:** die cast aluminum alloy with paint
- Conduit Connection:** Female 3/4" NPT, 1/2" NPT, M20 x P1.5, and 1/2" PF available
- Pressure Element:** welded type diaphragm
- Process Material:** wetted parts are all in SS316
- Process Connection:** Female 1/2" or 1/4" NPT, BSP, PT; and M20xP1.5 thread available
- Repeatability:** ±1% of full scale

Range Selection Table

Code	Adjustable Range	Dead Band	Maximum Pressure Proof
04R	2~12 psi	0.2~0.4	1000 psi
10R	2~16 psi	0.2~0.5	1000 psi
20R	2~20 psi	0.3~0.6	1000 psi
30R	3~28 psi	0.3~0.8	1000 psi
40R	7~100 psi	0.7~2.0	1000 psi

Ordering Information

PS2100W	Code	Range								
		04R 2~12 psi 10R 2~16 psi 20R 2~20 psi 30R 3~28 psi 40R 7~100 psi								
	Code	Wetted Parts Material								
	A	SS316								
	Code	Process Connection- Female								
		(1) 1/2" NPT (2) 1/4" NPT (3) 1/2" BSP (4) 1/4" BSP (5) 1/2" PT (6) 1/4" PT (7) M20 x P1.5								
	Code	Conduit Connection								
		(E) 3/4" NPT Female (F) 1/2" NPT Female, standard (G) M20 x P1.5 Female (P) 1/2" PF Female								
	Code	Switch Form								
	1	Micro Switch, 1 SPDT								
	2	Micro Switch, 2 SPDT (one setting point)								
	3a	Gold Contact, 1 SPDT								
	3b	Gold Contact, 2 SPDT (one setting point)								
PS2100W										Complete Ordering Code



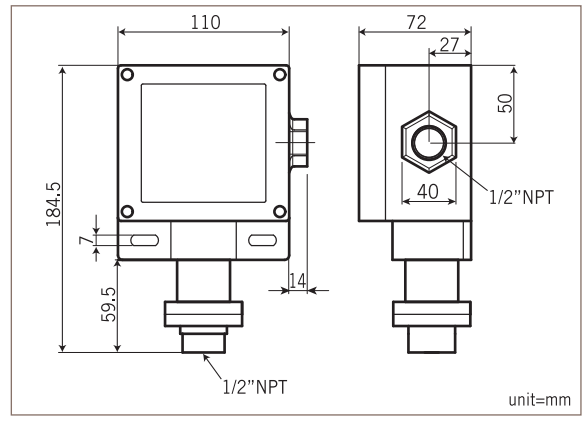
Approvals:

ABS CE
TYPE APPROVED PRODUCT

UL © Switches with UL & CSA Recognized and File No. E12252.

Patent No.
M295332
M334932
China: 920135

Dimensions



WWW.NEW-FLOW.COM • TEL: 886-7-8135500 • FAX: 886-7-8225588 • Email: info@new-flow.com