

Approvals:



TD0400TJ
工電(2012)第00320號
(ITRI)2017第07-00075號



Switches with UL & CSA
Recognized and File No.
E12252.



Patent No.

M295332
M334932
China: 920135

PS2000X

PRESSURE SWITCH EXPLOSION PROOF TYPE PS2000X

Explosion Proof Type / Protection: IP68
Proof Pressure to 5000psi
Adjustable Ranges: 10~4000psi
Temperature: -30 to 205°C

The New-Flow PS2000X, an explosion proof pressure switch, is designed to be used in control systems. PS2000X has high set point repeatability and narrow dead band features. A variety of range selections are available upon request. Easily adjusted to the set point, and no special tools needed!

Technical Data

Switch Data: one SPDT & two SPDT Microswitch, 15amps 125/250VAC, DC 125V 0.4A, DC 30V 3A, / Gold Contact Microswitch 1A 125/250VAC, /Hermetically Sealed Switch 5A/250VAC

Housing: die cast aluminum alloy with paint, and SS316 available

Conduit Connection: Female 3/4", 1/2"NPT, M20 x P1.5 available

Pressure Element: welded type diaphragm

Process Material: wetted parts all in SS316

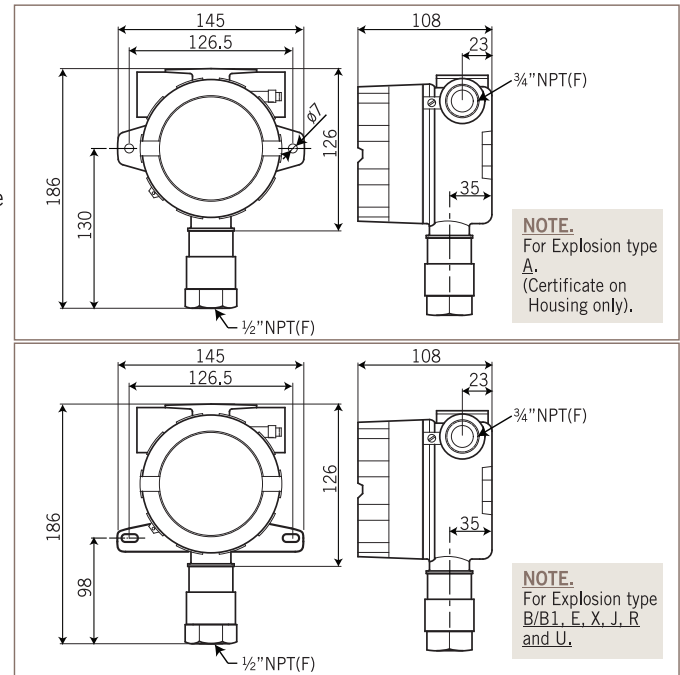
Process Connection: Female 1/2" or 1/4" NPT, BSP, PT and M20xP1.5 thread available

Repeatability: ±1% of full scale

Range Selection Table

Code	Adjustable Range	Dead Band (unit:psi)			Maximum Pressure Proof
		Micro Switch	Hermetically Switch	Gold Contact	
10R	10~100 psi	0.9~2.1	5.4~12	4.7~9.2	3000 psi
20R	35~200 psi	1.4~5.4	5.4~18.5	4.7~11.4	3000 psi
30R	50~300 psi	1.4~6.9	5.4~45.5	5.3~37	3000 psi
60R	100~600 psi	1.7~15.1	5.7~66.7	5.3~78	3000 psi
130R	100~1300 psi	5.5~15	5.7~126.4	5.3~106.5	3000 psi
240R	300~2400 psi	19.6~39.5	19.9~227.2	16.9~165	4000 psi
400R	400~4000 psi	32.5~65.6	19.9~326.6	16.9~213	5000 psi

Dimensions-mm



Ordering Information

PS2000X	Code	Range
	(10R)	10~100 psi
	(20R)	35~200 psi
	(30R)	50~300 psi
	(60R)	100~600 psi
	(130R)	100~1300 psi
	(240R)	300~2400 psi
	(400R)	400~4000 psi
	Code	Wetted Parts Material
	A	SS316
	Code	Process Connection- Female
	(1)	1/2"NPT
	(2)	1/4"NPT
	(3)	1/2"BSP
	(4)	1/4"BSP
	(5)	1/2"PT
	(6)	1/4"PT
	(7)	M20 x P1.5
	Code	Conduit Connection
	(E)	3/4"NPT Female, standard
	(F)	1/2"NPT Female
	(G)	M20 x P1.5 Female
	Code	Switch Form
	1	Micro Switch, 1 SPDT
	2	Micro Switch, 2 SPDT (one setting point)
	3a	Gold Contact, 1 SPDT
	3b	Gold Contact, 2 SPDT (one setting point)
	4a	Hermetically Switch, 1 SPDT
	4b	Hermetically Switch, 2 SPDT (one setting point)
	Code	Explosion Proof Type / Housing Material
	A	Certificate on Housing Only (FM Approval) / Aluminum alloy: Class I, Groups A, B, C & D; Class II, Groups E, F & G; Class III; NEMA 4X
	B / B1	Taiwan Explosion Proof Certification / (B) Aluminum alloy (B1) SS316: Ex d IIB + H2 T6 Gb
	E	International IECEx Certification / Aluminum alloy: Ex db IIB + H2 T6 Gb; Ex tb IIIC T85°C Db
	X	Europe Union ATEX Certification / Aluminum alloy: II 2 G D Ex db IIB + H2 T6 Gb; II 2 G D Ex tb IIIC T85°C Db
	U	UL Certification / Aluminum alloy: Class I, Division 1, Groups A, B, C & D; Class II, Division 1, Groups E, F & G
	G	China Explosion Proof Certification / Aluminum alloy: Ex d IIB + H2 T6 Gb; Ex tD A21 IP6X T85°C
PS2000X		

Complete Ordering Code

WWW.NEW-FLOW.COM • TEL: 886-7-8135500 • FAX: 886-7-8225588 • Email: info@new-flow.com

PRESSURE

01 Mar 2021

P004