

PS2000W

PRESSURE SWITCH IP66

PS2000W

Proof Pressure to 5000psi
Adjustable Ranges: 10~4000psi
Temperature: -30 to 205°C

The New-Flow PS2000W, a water proof pressure switch, is designed to be used in control systems. PS2000W has high set point repeatability and narrow dead band features. A variety of range selections are available upon request. Easily adjusted to the set point, and no special tools needed!

Technical Data

Switch Data: one SPDT & two SPDT Microswitch, 15amps 125/250VAC, DC 125V 0.4A, DC 30V 3A / Gold Contact Microswitch 1A 125/250VAC
Housing: die cast aluminum alloy with paint
Conduit Connection: Female 3/4", 1/2"NPT, M20 x P1.5 available
Pressure Element: welded type diaphragm
Process Material: Wetted parts all in SS316
Process Connection: Female 1/2" or 1/4" NPT, BSP, PT; and M20xP1.5 thread available
Repeatability: ±1% of full scale

Range Selection Table

Code	Adjustable Range	Dead Band	Maximum Pressure Proof
10R	10~100 psi	2.8 ~6.4	3000 psi
20R	35~200 psi	4.3~7.0	3000 psi
30R	50~300 psi	4.3~7.0	3000 psi
60R	100~600 psi	5.0~15	3000 psi
130R	100~1300 psi	14.2~56.8	3000 psi
240R	300~2400 psi	14.2~71	4000 psi
400R	400~4000 psi	23.6~117.9	5000 psi



Patent No.

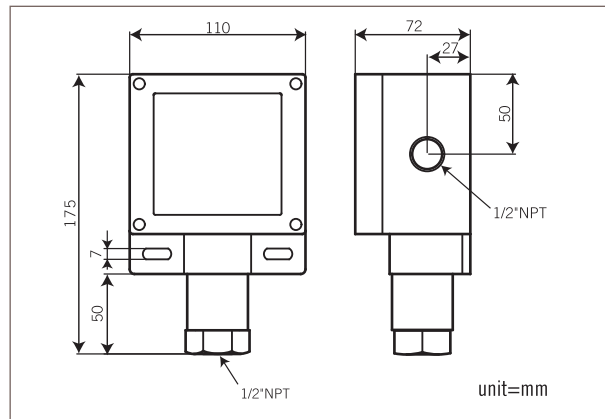
M295332
M334932
China: 920135

Approvals:



UL Switches with UL & CSA Recognized and File No. E12252.

Dimensions



Ordering Information

PS2000W	Code	Range								
		10R	10~100 psi	20R	35~200 psi	30R	50~300 psi	60R	100~600 psi	
		130R	100~1300 psi	240R	300~2400 psi	400R	400~4000 psi			
	Code	Wetted Parts Material								
	A	SS316								
	Code	Process Connection- Female								
		(1) 1/2"NPT (2) 1/4"NPT (3) 1/2"BSP (4) 1/4"BSP (5) 1/2"PT (6) 1/4"PT (7) M20 x P1.5								
	Code	Conduit Connection								
		(E) 3/4"NPT Female (F) 1/2"NPT Female, standard (G) M20 x P1.5 Female								
	Code	Switch Form								
	1	Micro Switch, 1 SPDT								
	2	Micro Switch, 2 SPDT (one setting point)								
	3a	Gold Contact, 1 SPDT								
	3b	Gold Contact, 2 SPDT (one setting point)								
PS2000W										Complete Ordering Code

WWW.NEW-FLOW.COM • TEL: 886-7-8135500 • FAX: 886-7-8225588 • Email: info@new-flow.com