

# PRESSURE REDUCING REGULATOR

## PRU400

### Technical Data

For using gases and liquids

Inlet pressure: 1.5 MPa maximum

Adjustable outlet pressure in ranges: 0.05~0.5 MPa (0.5~5 kg/cm<sup>2</sup>);  
0.2~1 MPa (2~10 kg/cm<sup>2</sup>)

Operating temperature: -5 to 60°C

Diaphragm material: Viton with PTFE lining for 0.5~5 kg/cm<sup>2</sup> ;  
SS316L for 2~10 kg/cm<sup>2</sup>

Body material: SS316L

Seat material: Viton

Handle wheel material: SS

Effective flow area: 13 mm

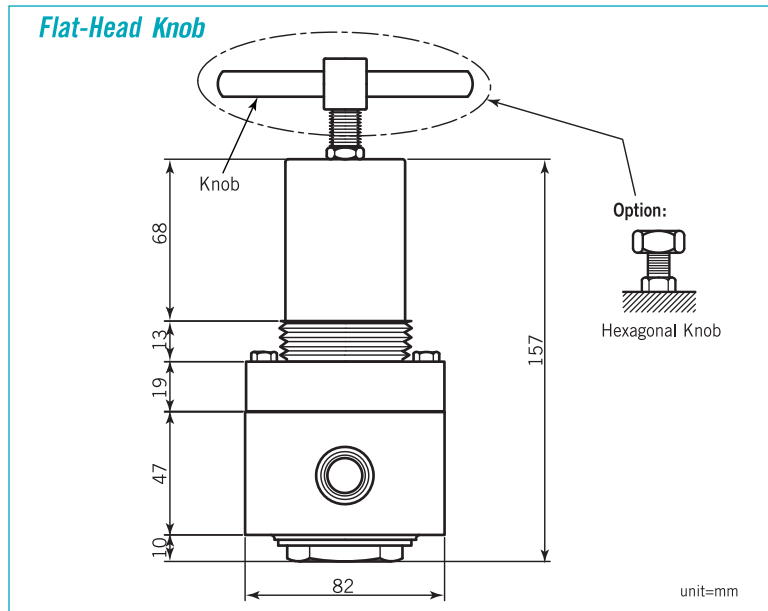
Process connection: ¾" & 1"NPT female available

Two gauge connection ports are: ¼"NPT female

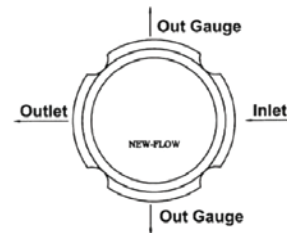
CV: 2.5 (for viton with PTFE lining diaphragm) ; 1.5 (for SS316L diaphragm)



### Dimensions



### Standard Port Configuration



### Ordering Information

PRU400	Code	Body & Knob material			
	1	316L Stainless Steel			
		Code	Knob type		
		A	Metal (Flat-Head)	B	Metal (Hexagonal)
		Code	Max. inlet pressure		
		1	1.5 MPa (15 kg/cm <sup>2</sup> )		
		Code	Outlet pressure range		
		1	0.05 ~ 0.5 MPa (0.5~5 kg/cm <sup>2</sup> )		
		2	0.2 ~ 1 MPa (2~10 kg/cm <sup>2</sup> )		
		Code	Process Connection Size		
		A	¾"NPT female	B	1"NPT female
<b>PRU400</b>					<b>Complete Ordering Code</b>