

# PRESSURE REDUCING REGULATOR PRU350

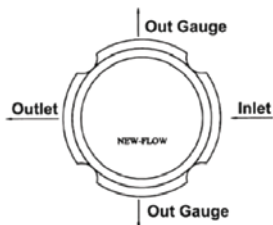
## Technical Data

For using gases and liquids  
**Inlet pressure:** 1.5 Mpa maximum  
**Adjustable outlet pressure in ranges:**  
 0.01~0.2 Mpa (0.1~2 kg/cm<sup>2</sup>)  
 0.05~0.7 Mpa (0.5~7 kg/cm<sup>2</sup>)  
**Operating temperature:** -5 to 60°C  
**Diaphragm material:** Viton with PTFE lining  
**Body material:** SS316L  
**Seat material:** Viton  
**Handle wheel material:** SS  
**Effective flow area:** 8.0 mm  
**Process connection:** ½"NPT female  
**Two gauge connection ports are:** ¼"NPT female  
**CV:** 0.6

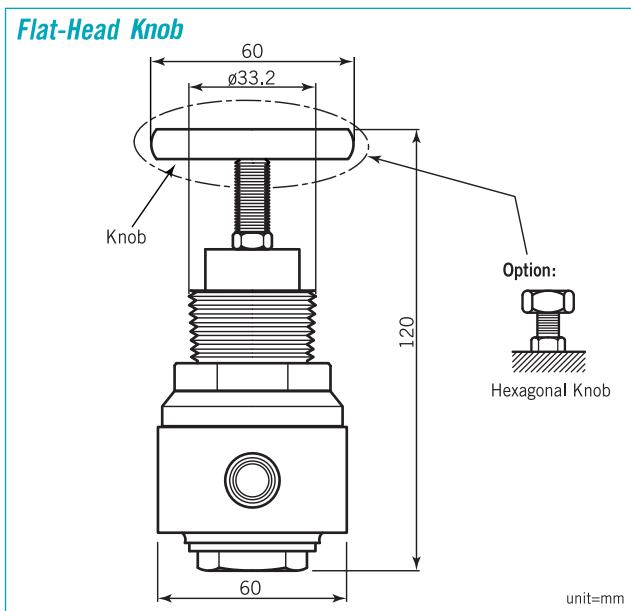
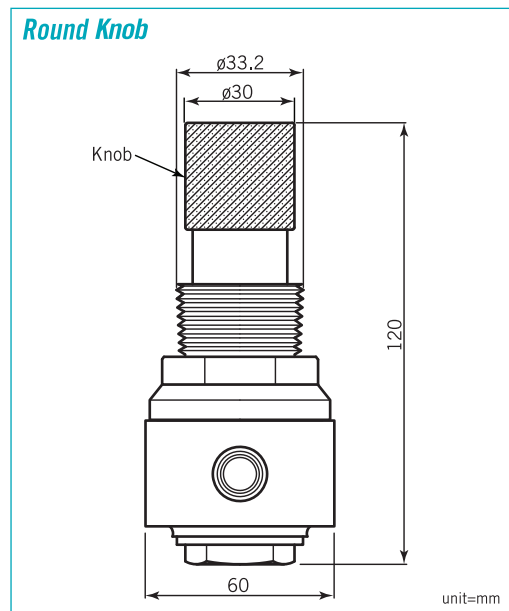
### OPTION FUNCTION (Extra Cost):

**Filter Material:** SS316L  
**Size of Mesh:** 5μ, 10μ, 20μ, 50μ, 100μ

## Standard Port Configuration



## Dimensions



## Ordering Information

PRU350	<b>Code</b>	<b>Body &amp; Knob material</b>					
	1	316L Stainless Steel					
	↓	<b>Code</b>	<b>Knob type</b>				
		A	Round	B	Metal(Flat-Head)	C	Metal(Hexagonal)
		↓	<b>Code</b>	<b>Max. inlet pressure</b>			
	1		1.5 Mpa (15 kg/cm <sup>2</sup> )				
	↓	<b>Code</b>	<b>Outlet pressure range</b>				
		1	0.01~0.2 Mpa (0.1~2 kg/cm <sup>2</sup> )	2	0.05~0.7 Mpa (0.5~7 kg/cm <sup>2</sup> )		
	↓	<b>Code</b>	<b>Filter</b>				
		N	Without	W	With, ____ (Please fill out the size of 5μ, 10μ, 20μ, 50μ, 100μ directly.)		
PRU350					<b>Complete Ordering Code</b>		