

PRESSURE REDUCING REGULATOR PRU300

Technical Data

For using gases and liquids

Inlet pressure: 1.5 Mpa maximum

Adjustable outlet pressure in ranges: 0.01~0.2 Mpa (0.1~2 kg/cm²)
0.05~0.7 Mpa (0.5~7 kg/cm²)

Operating temperature: -5 to 60°C

Diaphragm material: Viton with PTFE lining

Body material: SS316L

Seat material: Viton

Handle wheel material: SS

Effective flow area: 4.0 mm

Process connection: ¼"NPT female

Two gauge connection ports are: ¼"NPT female

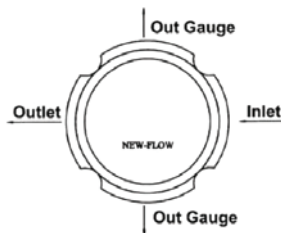
CV: 0.35

OPTION FUNCTION (Extra Cost):

Filter Material: SS316L

Size of Mesh: 5μ, 10μ, 20μ, 50μ, 100μ

Standard Port Configuration



Round Knob



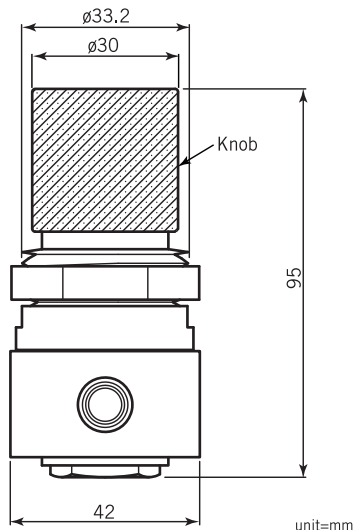
Flat-Head Knob



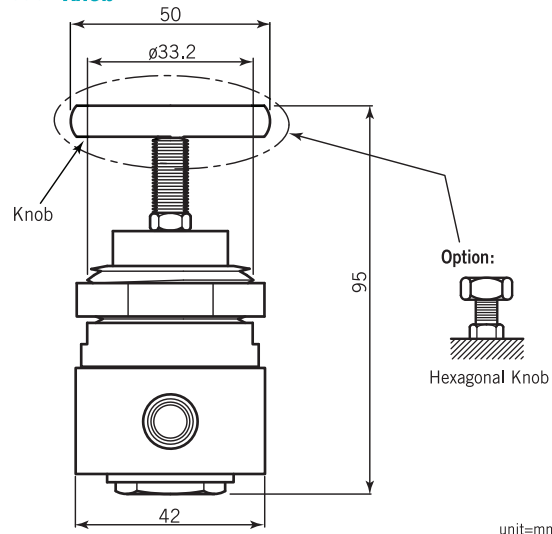
Assemble with FILTER

Dimensions

Round Knob



Flat-Head Knob



Ordering Information

PRU300	Code	Body & Knob material					
	1	316L stainless steel					
		Code	Knob type				
		A	Round	B	Metal(Flat-Head)	C	Metal(Hexagonal)
		Code	Max. inlet pressure				
		1	1.5 Mpa (15 kg/cm ²)				
		Code	Outlet pressure range				
		1	0.01~0.2 Mpa (0.1~2 kg/cm ²)	2	0.05~0.7 Mpa (0.5~7 kg/cm ²)		
		Code	Filter				
		N	Without	W	With, ____ (Please fill out the size of 5μ, 10μ, 20μ, 50μ, 100μ directly.)		
PRU300							Complete Ordering Code