

# PRESSURE REDUCING REGULATOR

## PRU200

### Technical Data

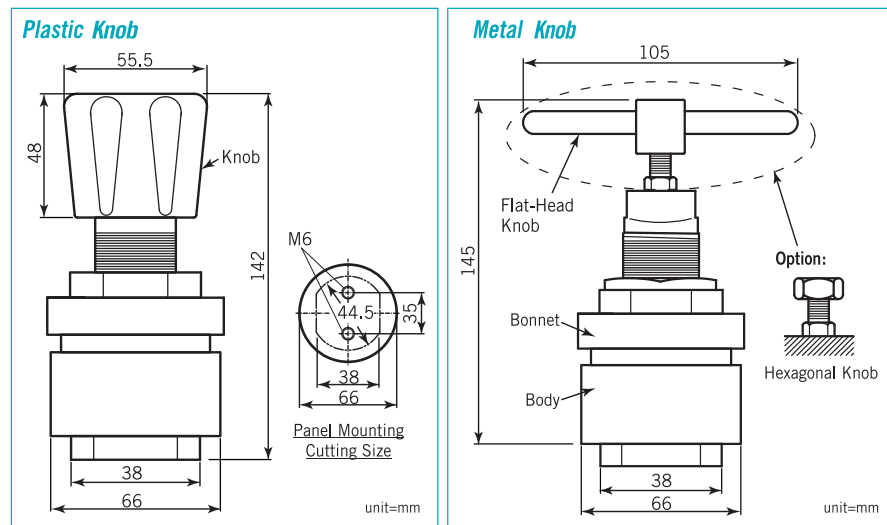
For using gas and liquid  
**Inlet pressure:** 600, 3500 Psig maximum  
**Adjustable outlet pressure in ranges:** 150, 250, 500 Psig  
**Operating temperature:** -60 to 150°C  
**Diaphragm material:** 316L stainless steel, and Hastelloy C-276 on request  
**Body material:** 316L stainless steel and Hastelloy C-276 on request  
**Bonnet material:** 316L stainless steel  
**Seat material:** Teflon, PFA, and Special Teflon Seat available  
**CV flow coefficients:** 1.0  
**Process connection:** ½" NPT female  
**Two gauge connection ports are:** ¼" NPT female  
 Use no oil: available



Plastic Knob

Metal Knob

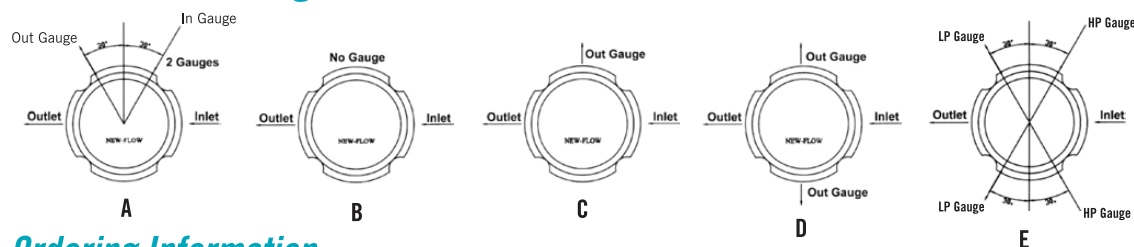
### Dimensions



### Selection Table

Size & Diaphragm Port	¼" NPT(F) SS316L Diaphragm	¼" PT(F) SS316L Diaphragm	¼" NPT(F) HC-276 Diaphragm
A (2in/2out)	✓		✓
B (1in/1out)	✓		✓
C (1in/2out)	✓		✓
D (1in/3out)	✓		✓
E (c/w 2PG)	✓		

### Standard Port Configuration



### Ordering Information

PRU200	Code	Body Material
	1	316L Stainless Steel (Bonnet SS316L)
	2	Hastelloy C-276 (Bonnet SS316L)
		<b>Code Knob Material</b>
	A	Plastic
	B	Metal (Flat-Head)
	C	Metal (Hexagonal)
		<b>Code Max. Inlet Pressure</b>
	1	600 Psig
	2	3500 Psig
		<b>Code Outlet Pressure Range</b>
	1	2-150 Psig
	2	3-250 Psig
	3	5-500 Psig
		<b>Code Seat Material / Max. Inlet Pressure / Temp. Limit</b>
	A	Teflon / 600 Psig / -20°C~+80°C
	B	PFA / 3500 Psig / -20°C~+150°C
	C	Special Teflon Seat / 3500 Psig / -60°C~+80°C
		<b>Code Port Configuration</b>
		A B C D E
PRU200		Complete Ordering Code