

# PRESSURE REDUCING REGULATOR

## PRU125 – Self Venting Type Available

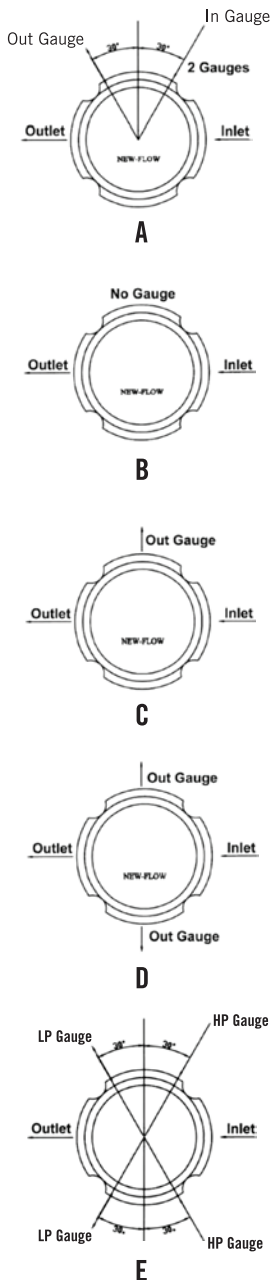
### Technical Data

- For using gas and liquid
- Inlet pressure: 500, 3500 Psig maximum
- Adjustable outlet pressure in ranges: 25, 50, 100, 250, 500 Psig
- Operating temperature: -40 to 175°C
- Diaphragm material: 316L stainless steel
- Body material: 316L stainless steel
- Seat material: Teflon, PFA available
- CV flow coefficients: 0.06
- Process connection: 1/4" NPT female
- Two gauge connection ports are: 1/4" NPT female
- Use no oil: available
- Self Venting: 1/8" NPT female

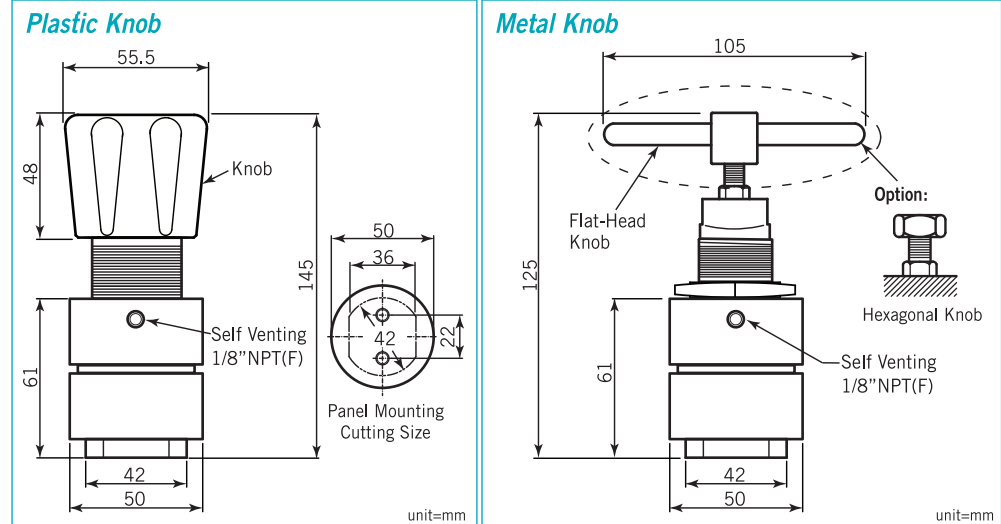


Plastic Knob

### Standard Port Configuration



### Dimensions



### Ordering Information

PRU125	Code	Body Material					
	1	316L stainless steel					
	Code	Knob Material					
	A	Platic	B	Metal (Flat-Head)	C	Metal (Hexagonal)	
	Code	Max. Inlet Pressure					
	1	500 Psig					
	2	3500 Psig					
	Code	Out Pressure Range					
	1	1~25 Psig	2	2~50 Psig	3	2~100 Psig	
	4	3~250 Psig	5	5~500 Psig			
	Code	Seat Material					
	A	Teflon (Max. inlet pressure 500 Psig)					
	B	PFA (Max. inlet pressure 3500 Psig)					
	Code	Port Configuration					
			A	B	C	D	E
	Code	Self Venting					
	W	With	O	Without			
PRU125							Complete Ordering Code